

# VANOX FIREPLACE

Elegance

Elegance and style to warm your home

Style

**NOVA VL36BN**  
B-Vent Gas Fireplace  
VL36BN 1/2" copper starfire glass chips



[www.vanoxfireplace.com](http://www.vanoxfireplace.com)  
604 782 5949



### Models:

- VL36BN - Millivolt system
- VL36BNE - IPI electronic ignition system

Flue: 4" or 5" certified B vent with minimum height 12 feet from the hearth

Fuel: Natural Gas

Input BTU: 18,000 Btu/h

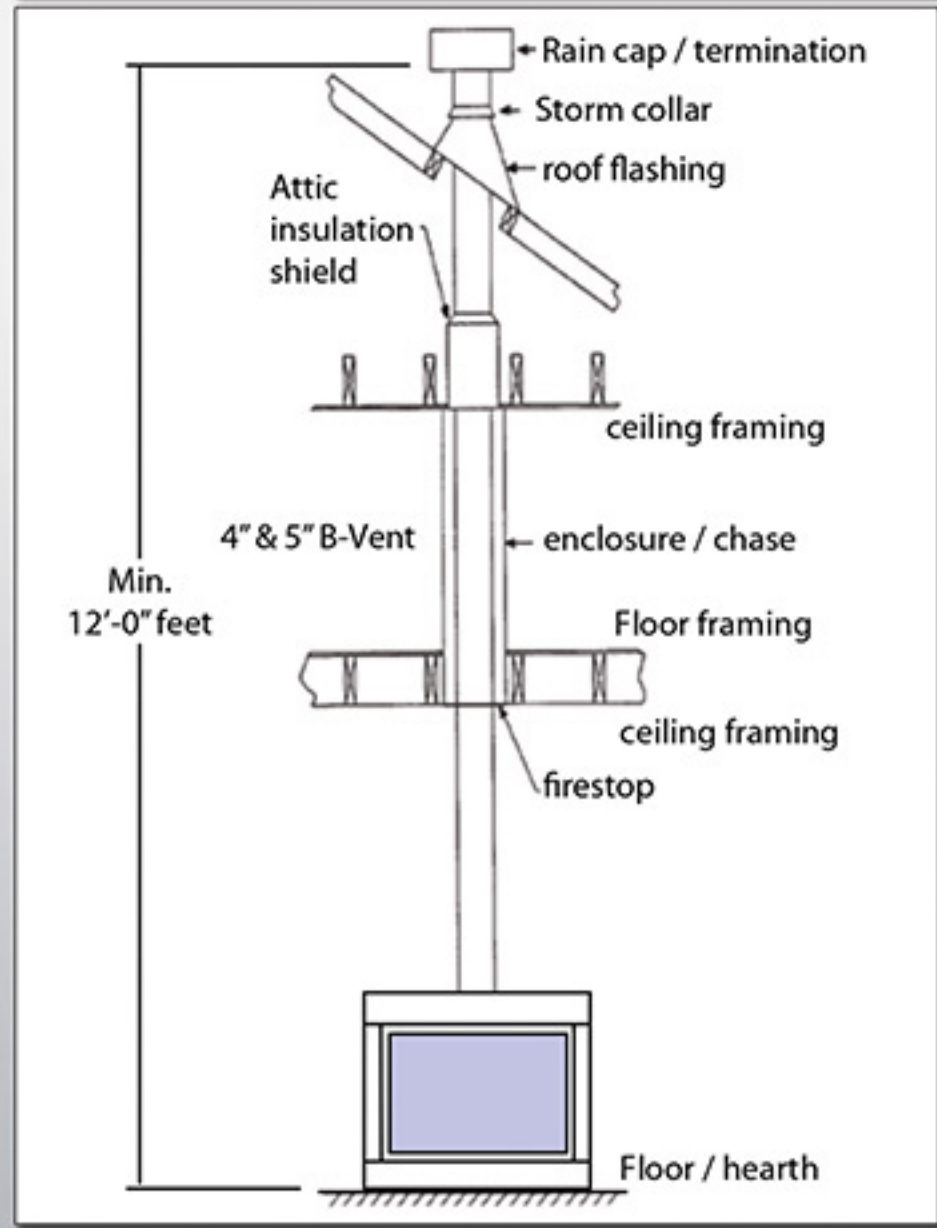
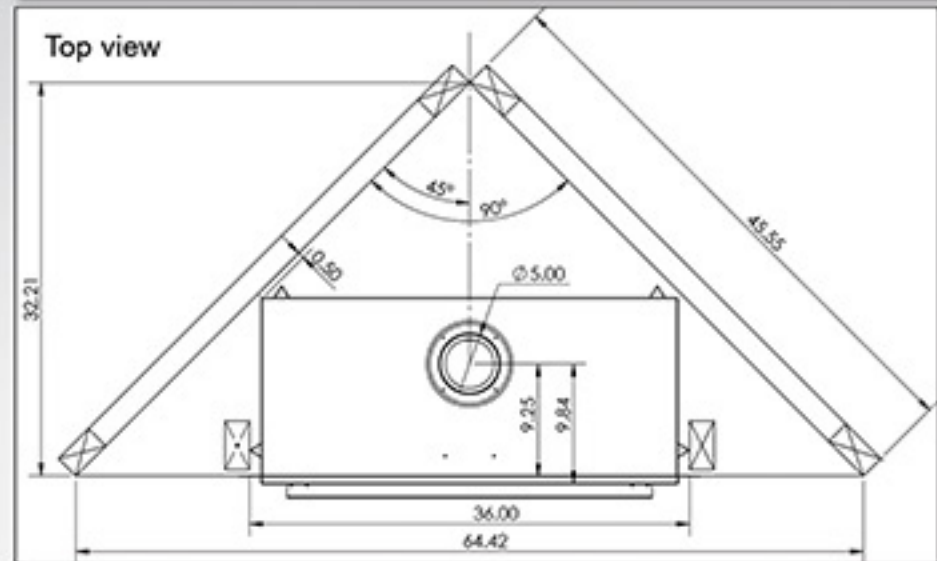
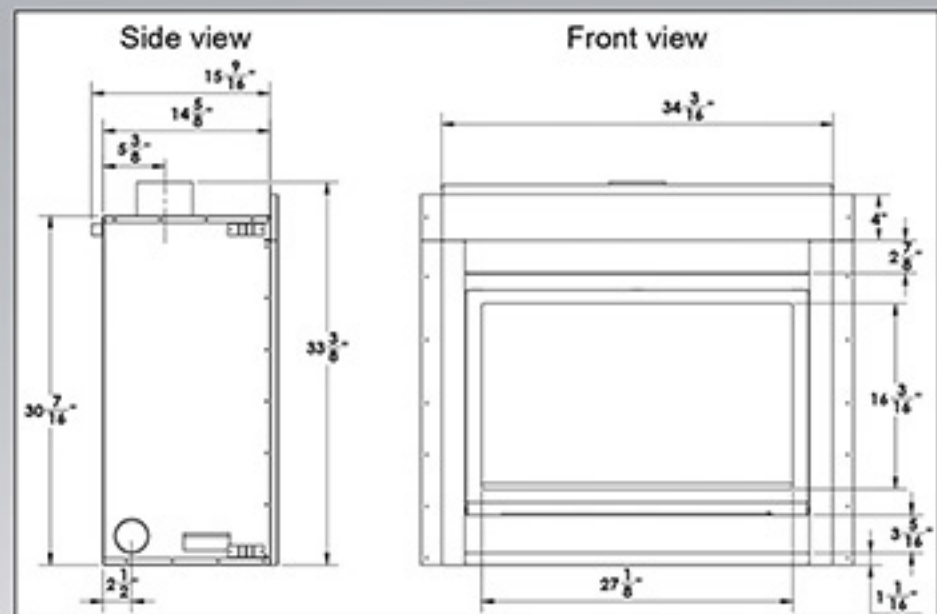
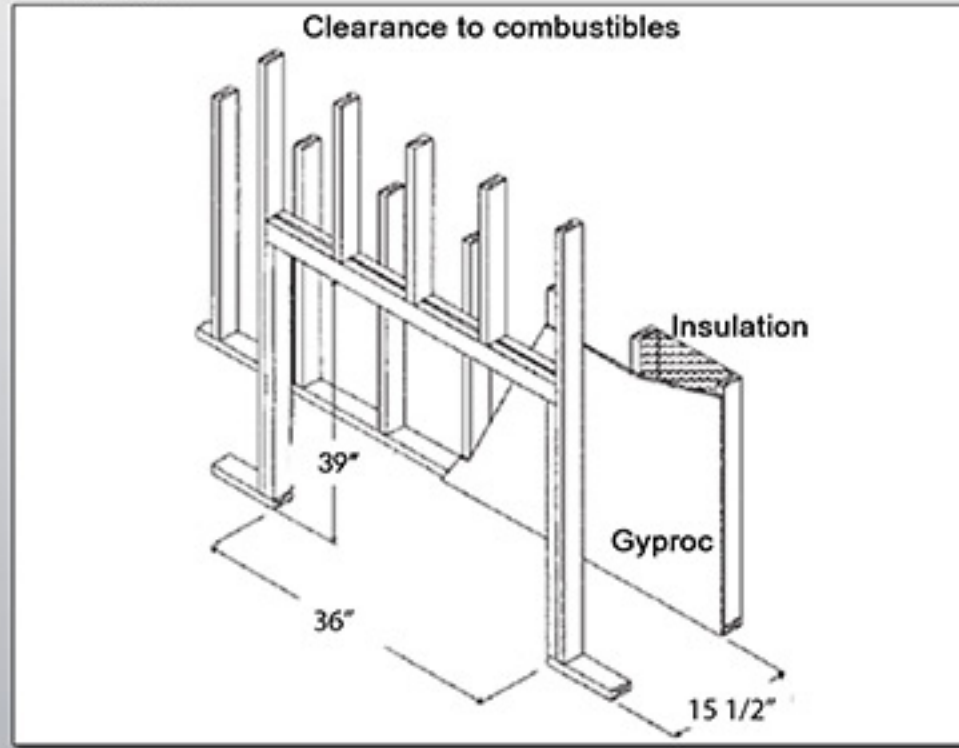
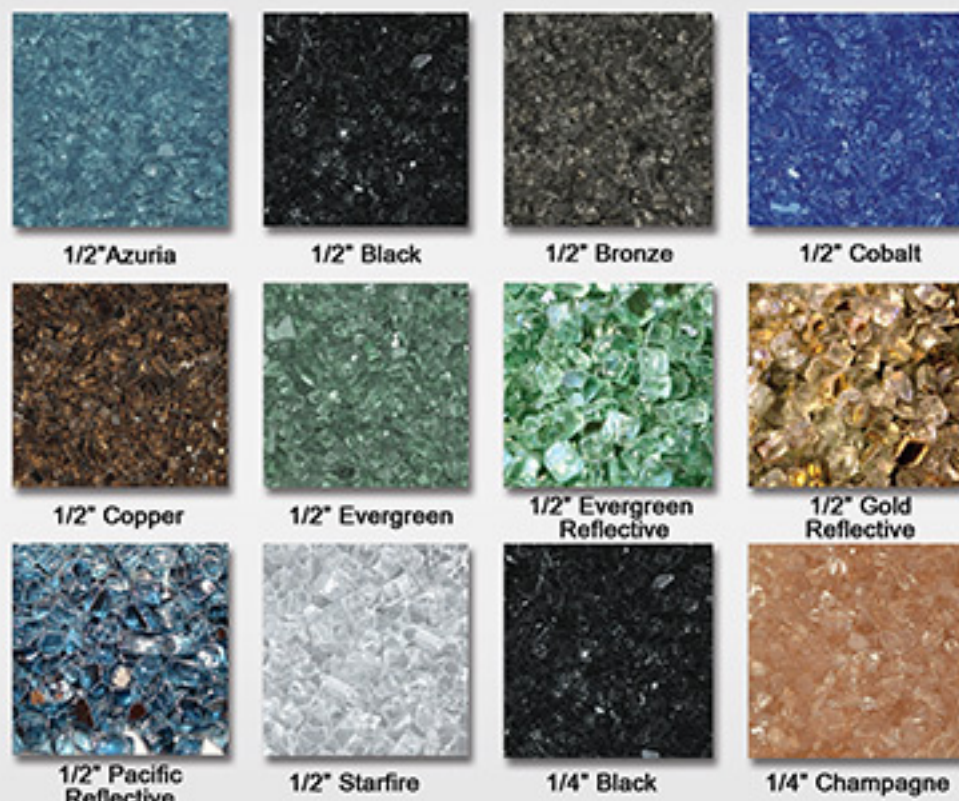
Steady State Efficiency: 54%

### Features:

- Clean-Face design allows for brick or tile installation over the fireplace frame
- Millivolt control with piezo spark igniter allows for continuous operation even during a power failure
- Linear contemporary burner comes standard with 1/2" white reflective glass
- 100% fail safe shut off valve & high limit switch

### Optional Features:

- IPI electronic system with optional on-off remote control or thermostatic control & battery backup system.
- Fan Kit with thermally activation and fan speed control
- Millivolt system with various remote control options or thermostats
- Various selection colors for reflective glass and glass beads



www.vanoxfireplace.com  
Tel: 604 782 5949  
Fax: 604 944 8795