

Installation & Operation Instructions

SOLARA36

Zero Clearance Linear BV Gas Fireplace



• DANGER •

Read and understand this manual. Improper installation, adjustments, alterations, service or maintenance can cause serious injury, property damage or even death. For assistance or additional information consult a qualified installer, service agency or gas supplier.



• CAUTION •

Glass doors on gas fireplaces are extremely hot while the fireplace is on and remain hot even after the fireplace has been turned off. Safety screens are available and can reduce the risk of severe burns. Please keep children away from the fireplace at all times.



• WARNING •

Do not store or use gasoline or any other flammable vapors and liquids in the vicinity of this or any other gas burning appliance. A fire or explosion may occur causing serious injury, property damage or even death.



• WARNING •



HOT GLASS
WILL CAUSE BURNS
DO NOT TOUCH
GLASS UNTIL COOLED
NEVER ALLOW
CHILDREN TO TOUCH
GLASS



• NOTICE •

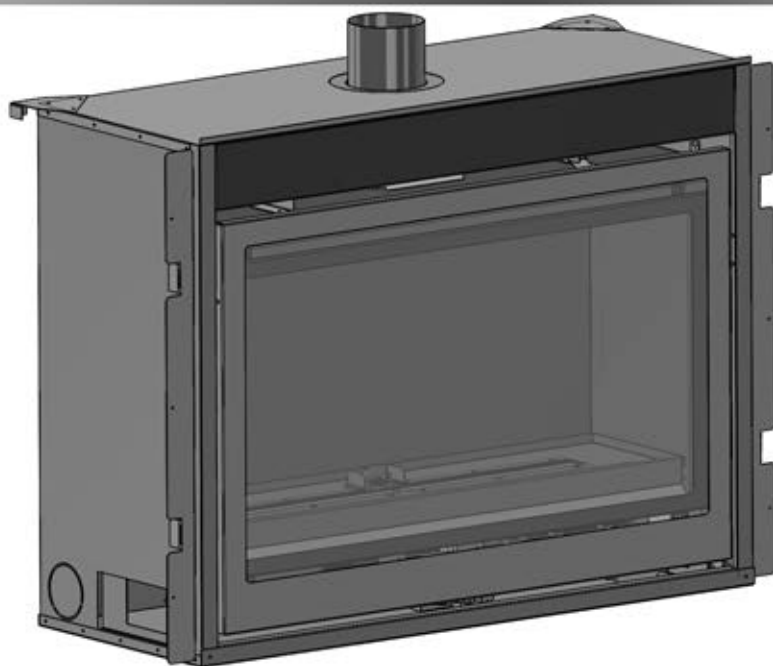
Installer: Leave this manual with the appliance.
Do not remove.
Consumer: Retain this manual for maintenance and future reference. Do not discard.



• DANGER •

IF YOU SMELL GAS

- Do not try to light any appliance.
- Do not touch any electrical switch; do not use any phone in your building.
- Immediately call your gas supplier from your neighbour's phone. Follow the gas supplier's instructions.
- If you cannot reach your gas supplier, call the fire department.



Installation & operation Instruction

SOLARA36 Linéaire à jeu nul Foyer au gaz BV Cheminee au gaz



• DANGER •

Lire et comprendre ce manuel. Une mauvaise installation, des ajustements, des modifications, de service ou d'entretien peuvent causer des blessures graves, des dommages matériels ou même la mort. Pour de l'aide ou des renseignements supplémentaires, consultez un installateur, une agence de service ou le fournisseur.



• CAUTION •

Les portes en verre sur les foyers à gaz sont très chauds lorsque le foyer est sur et restent chauds même après que le foyer a été éteint. Écrans de sécurité sont disponibles et peuvent réduire le risque de brûlures graves. S'il vous plaît garder les enfants loin du foyer en tout temps.



• AVERTISSEMENT •

Ne pas entreposer ni utiliser d'essence ou d'autres vapeurs et liquides inflammables à proximité de cet appareil ou tout autre appareil de chauffage au gaz. Un incendie ou une explosion peut se produire et provoquer des blessures graves, des dommages matériels ou même la mort.



• WARNING •



Verre chaud peut causer des brûlures
Ne pas toucher le verre jusqu'à ce que l'unité est refroidie.
Refroidie ce jamais laisser les enfants toucher la vitre



• AVERTISSEMENT •

Installateur: Laissez ce manuel avec l'appareil.
Ne retirez pas.

Consommateur: Conservez ce manuel pour l'entretien et la référence future. Ne jetez pas.



• DANGER •

SI VOUS UNE ODEUR DE GAZ

- Ne pas tenter d'allumer l'appareil.
- Ne touchez à aucun interrupteur électrique; ne pas utiliser le téléphone dans votre immeuble.
- Appelez immédiatement votre fournisseur de gaz à partir du téléphone d'un voisin. Suivez les instructions du fournisseur de gaz.
- Si vous ne pouvez pas joindre votre fournisseur de gaz, appelez le service d'incendie.



• NOTICE •

You must read and understand this manual prior to installation, operation or troubleshooting this appliance. Please retain this owner's manual for future reference and maintenance,

• AVIS •

Vous devez lire et comprendre ce manuel avant l'installation, le fonctionnement ou le dépannage de cet appareil. S'il vous plaît conserver ce manuel du propriétaire pour référence et l'entretien futur.

Table of Contents

Safety Alert Key	
Introduction	5
Installation	
Before you Start	5 - 6
Installation Checklist.....	7
Section 1:	
Installation Overview and Product Dimensions.....	7
Section 2:	
Framing the SOLARA36 Fireplace.....	7
Installing the fireplace	8
Clearances	8
Section 3:	
B-Vent Installation.....	9 - 10
Confirming Proper venting	9
Installation of PV1500 Powervent	10
Installation of Tjerlund Powervent	10
Section 4:	
Finishing	11
Facing.....	11
Mantels and surrounds.....	11
Section 5:	
Wiring	12 - 14
Section 6:	
Installing and Removing the Door.....	15
Installation VRI28BN(E) Insert.....	15 - 16
Installation VR128BN	17
Section 7:	
Installing the gasline	18
Section 8:	
Lighting Instructions	19 - 22
SIT Millivolt (English)	19
SIT Millivolt (French)	20
SIT Electronic (English)	21
SIT Electronic (French)	22
Section 9:	
Mandatory Fankit	23 - 24
SIT Millivolt (English)	23 - 24
Glass Media Placement	24
Operation:	25
Lighting Instructions	25
Burner Adjustment	25
Ait Shutter Adjustment	25
General	25
Cleaning	25
Maintenance:	26
Warranty:	27
MA Code - CO Detector (for the State of Massachusetts only)	28 - 29
Notes	29



Safety Alert Key



• DANGER •

Indicates a hazardous situation which, if not avoided, **WILL** result in death or serious injury or property damage.

Indique une situation dangereuse qui, si elle n'est pas évitée, entraînera la mort ou des blessures ou des dommages matériels graves.



• CAUTION •

Indicates a hazardous situation which, if not avoided, **WILL** result in minor or moderate injury.



• ATTENTION •

Indique une situation dangereuse qui, si elle n'est pas évitée, entraînera la mort ou des blessures ou des dommages matériels graves.



• WARNING •

Indicates a hazardous situation which, if not avoided, **COULD** result in death or serious injury or property damage.



• AVERTISSEMENT •

Indique une situation dangereuse qui, si elle n'est pas évitée, **POURRAIT** entraîner la mort ou des blessures graves ou des dommages property.

• WARNING •

Addresses practices that are important, but not related to personal injury.

• AVERTISSEMENT •

Adresses pratiques qui sont importantes, mais ne sont pas liées à des blessures.



Introduction

Thank You for choosing a SOLARA36 Fireplace

The SOLARA36 includes a 18,000 / 14,000 BTU Linear burner. The SOLARA36 is certified in Canada and USA as a Vented Gas Fireplace (ANSI Z21.50 -2019 / CSA 2.22 -2019) and is available in two versions.

- **SOL36BN**: Zero clearance box factory installed 4",5",6" B-Vent gas Fireplace, (Millivolt Ignition - 7 days)
- **SOL36BNE** ; Zero clearance box factory installed 4",5",6" B-Vent gas Fireplace, (IPI Ignition - Hi/Lo) (Installation details on page 13)

How to use this manual:

This manual covers all models and unless otherwise specified, the designation SOLARA36 refers to all models. Sections which are specific to a particular model are marked with a symbol, plus the appropriate model number.

Warranty and Installation Information:

The Vanox warranty will be voided by, and Vanox disclaims any responsibility for, the following actions:

- Modification of the fireplace and/or components including glass doors.
- Use of any component part not manufactured or approved by Vanox in combination with this Vanox fireplace system.
- Installation other than as instructed in this manual. Consult your local Gas Inspection Branch on installation requirements for factory-built gas fireplaces. Installation & repairs should be done by a qualified contractor. Installations in Canada must conform to the current CAN/CGA B149.1 and .2 Gas Installation Code and local regulations.
- Installation in the USA must conform to local codes, or in the absence of those codes, conform to the National Fuel gas Code, ANSI 2223.1 / NFPA54.
- Tested to High Altitude Standard CSA 2.17-2017

Installation

Before you Start

IMPORTANT MESSAGE: SAVE THESE INSTRUCTIONS

The SOLARA36 B-Vent fireplace must be installed in accordance with these Instructions. Carefully read all the Instructions in this manual before installation. Consult the Local Gas Branch to determine the need for a permit prior to starting the installation. It is the responsibility of the installer to ensure this fireplace is installed in compliance with the manufacturer instructions and all applicable codes.



• DANGER •

When this appliance is installed directly on any combustible material other than wood flooring, it must be installed on a metal or wood panel extending the full width and depth of the appliance or a fire will occur causing serious injury, property damage or even death.

Lorsque cet appareil est installé directement sur un matériau combustible autre que le bois, il doit être installé sur un panneau de métal ou de bois dépassant de la largeur et de la profondeur de l'appareil ou un incendie se produisent causant des blessures graves, des dommages matériels ou même la mort.



• CAUTION •

Young children should be carefully supervised when they are in the same room as this appliance. Toddlers, young children and others may be susceptible to accidental contact burns. A physical barrier is recommended if there are at risk individuals in the house. To restrict access to the fireplace install an adjustable safety gate to keep toddlers, young children and others at risk individuals out of the room and away from hot surfaces.



• CAUTION •

Due to high operating temperatures, this appliance should not be located out of traffic & away from furniture and draperies. Children and adults should be alerted to the hazards of the high surface temperature, which could cause burns or clothing ignition. Young children should be carefully supervised when they are in the same room as the appliance. Clothing or other flammable materials should not be placed on or near the appliance.



• ATTENTION •

Les jeunes enfants doivent être surveillés attentivement lorsqu'ils sont dans la même pièce que l'appareil. Les tout-petits, les jeunes enfants et autres personnes sont sujets aux brûlures accidentelles. Une barrière physique est recommandée s'il ya des personnes à risque dans la maison. Pour restreindre l'accès à la cheminée installer une barrière de sécurité ajustable pour éloigner les bambins, les jeunes enfants et autres personnes à risque hors de la pièce et loin des surfaces chaudes.



• ATTENTION •

En raison de températures de fonctionnement élevées, cet appareil ne doit pas être situé hors de la circulation et loin des meubles et des rideaux. Les enfants et les adultes doivent être sensibilisés aux dangers de la température de surface élevée, ce qui pourrait provoquer des brûlures ou l'inflammation des vêtements. Les jeunes enfants doivent être surveillés attentivement lorsqu'ils sont dans la même pièce que l'appareil. Vêtements ou autres matériaux inflammables ne doivent pas être placés sur ou près de l'appareil.

• NOTICE •

Installation and repairs should be done by an authorized fireplace service technician. The appliance should be inspected before use and at least annually by a professional. More frequent cleaning may be required due to excessive lint from carpeting, bedding material, etc. It is imperative that control compartments, burners and circulating air passageways of the fireplace are kept clean.

• AVIS •

Installation et réparations doivent être effectuées par un technicien de service autorisé de cheminée. L'appareil doit être inspecté avant son utilisation et au moins annuellement par un professionnel. Un nettoyage plus fréquent peut être nécessaire en raison des peluches provenant des tapis, literie, etc Il est impératif que les compartiments de contrôle, les brûleurs et les passages de circulation d'air du foyer sont propres.



Installation Checklist

- 1). Determine the desired install location of your fireplace. See Section 1, Dimensions on Page 8, and refer to the Framing. Section 2 for details.
- 2). Select the location of your termination and resulting vent run. Your selected termination location must be the highest point in the B-Vent installation.
- 3). Should it be impossible to meet the venting requirements laid out in Section 3: Venting, please contact Vanox.
- 4). Lay out the Vent run and Electrical Requirements Refer to Section 4: Wiring, for Details.
- 5). Refer to Section 5: Installing the Gas Line, for details on the gas connection and access. Refer to local codes and guidelines for installation requirements.

NOTE: Installation and repairs should be done by a qualified contractor and must conform to, below:

- Installations in the USA must conform to the local codes or in the absence of local codes to the current version of National Fuel Gas Code, ANSI Z223.1/NFPA 54. Electrical Installations must conform to the local codes or, in the absence of local codes, to the current version of the National Electrical Code, ANSI/NFPA 70. See Appendix C for installation within the State of Massachusetts..

Section 1: Installation Overview SOLARA36 - Model SOL36BN

Please review the Installation Checklist on Page 7 for general information on preparing for a successful installation of your fireplace.

The SOLARA36 - Model SOL36BN fireplace may be installed in any location that maintains proper clearances to air conditioning ducts, electrical wiring and plumbing. Safety, as well as efficiency of operation, should be considered when selecting the fireplace location. Select a location that does not interfere with room traffic, has adequate ventilation and offers an accessible path for B-Vent installation.

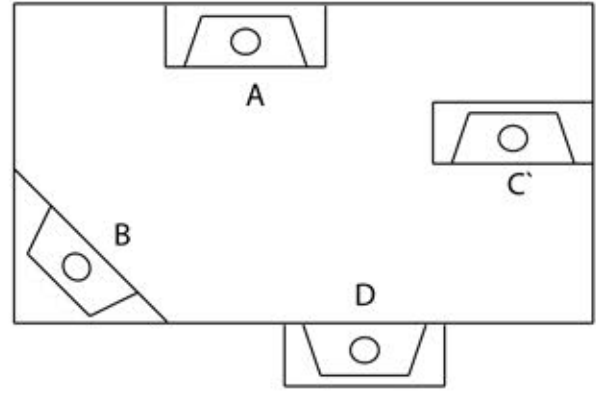
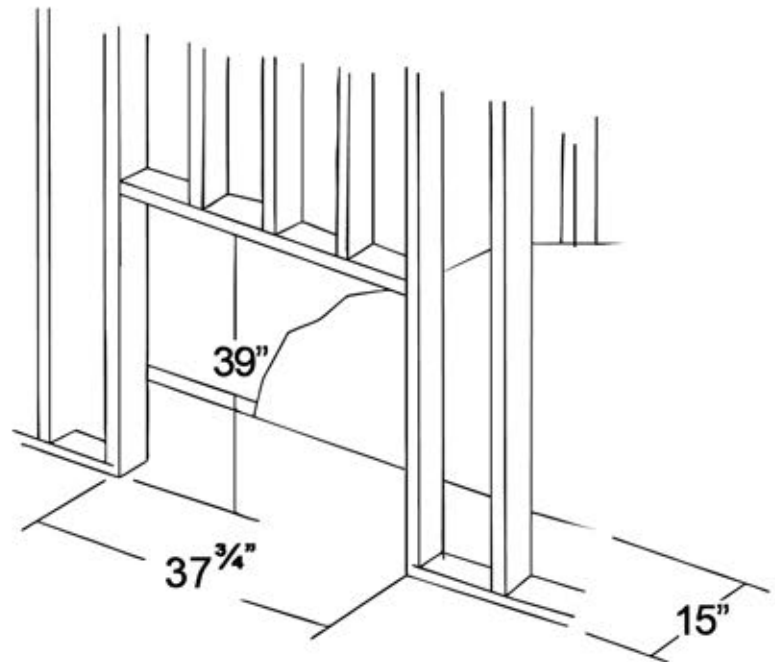


Figure 1. Fireplace Locations.
 A - Flat on the wall C - As a room divider
 B - Across the Corner D - Exterior Wall

Section 2: Fireplace Roughing Frame

Framing dimensions for SOLARA36 - Model SOL36BN





Installing The Fireplace

The fireplace dimensions are shown below:

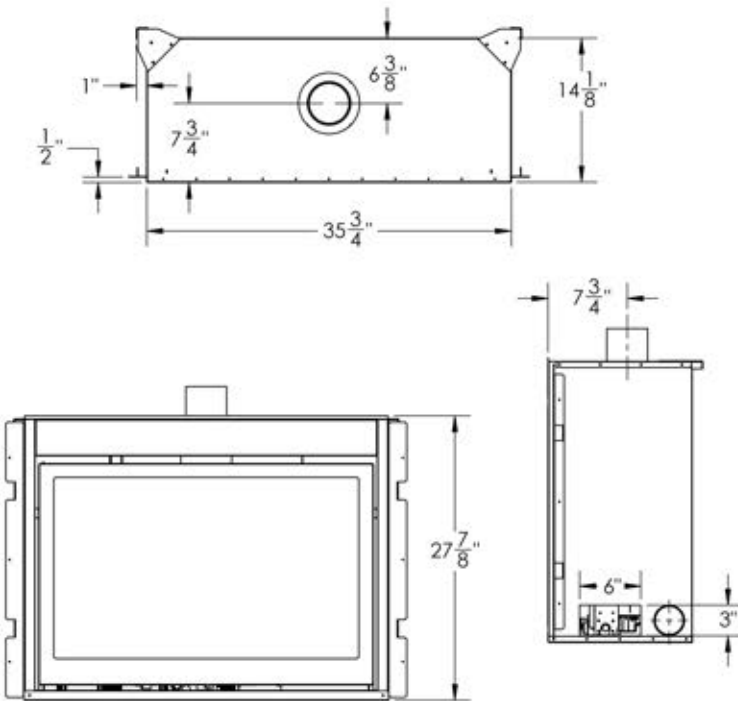


Figure 3.
Fireplace dimensions SOLARA36 - Model SOL36BN

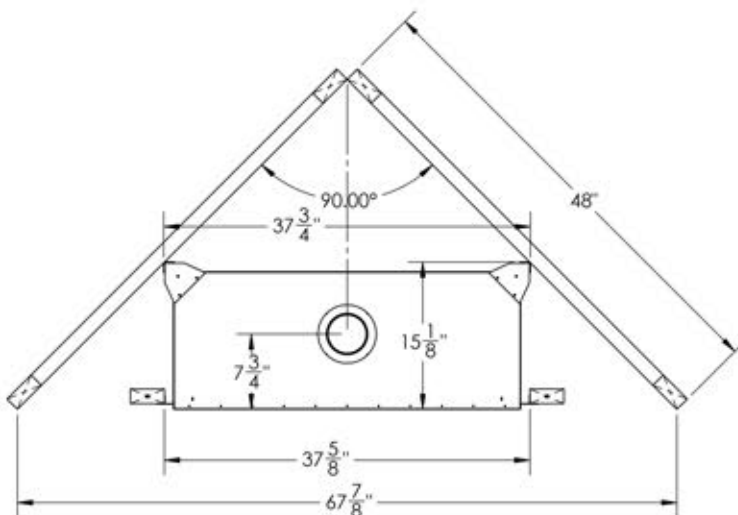


Figure 4.
Fireplace Corner dimensions SOLARA36
Model SOL36BN

Clearances

These clearances apply to all dimensions except the framed opening, where the clearance to combustibles are listed on Page 6, Section No. 2.

The SOLARA36 - Model SOL36BN clearances to combustible materials are:

Ceiling height	66"
Back	1"
Side	1"
Floor	0"
Mantel	6"
Perpendicular Wall	4"
* B-Vent	1"

Up to 8 feet ceiling clearance B-vent must be 2", beyond clearances specified by the B-vent manufacturer - 1".

For protection against freezing temperatures, it is recommended that outer walls of the chase be insulated with a vapour barrier. This will reduce the possibility of a cold-air convection current on the fireplace.

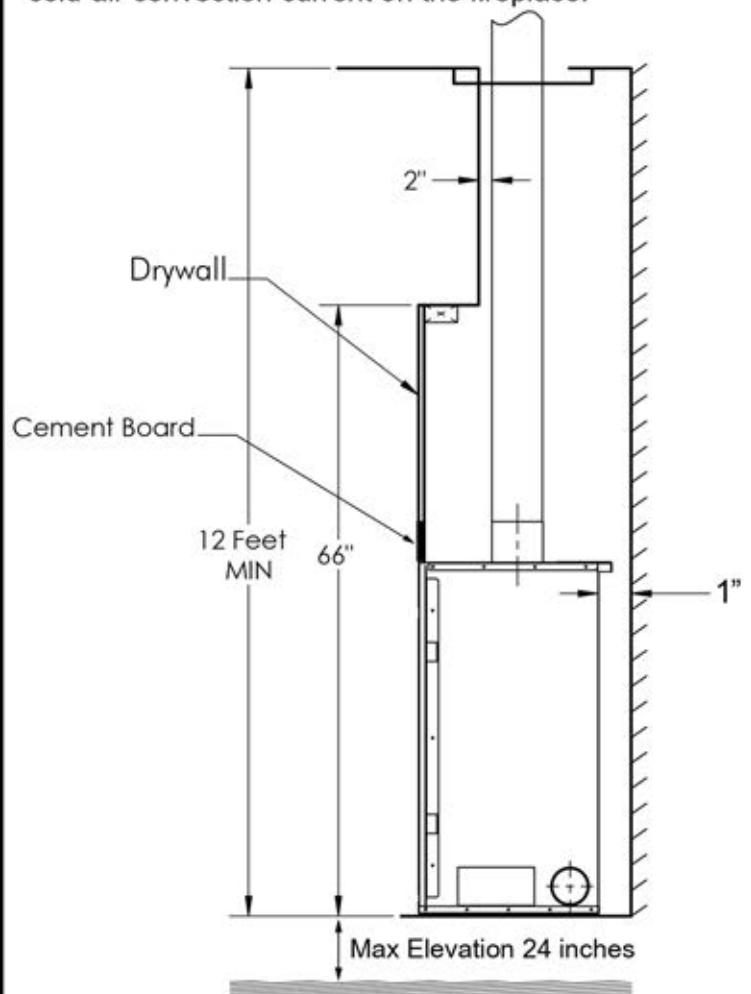


Figure 5. Combustible Shelf location.



Section 3A: B-Vent Installation

The SOLARA 36 - Model SOL36BN is certified for use with standard 4" -5 "and 6" inch B-Vent. The fireplace is supplied with a factory 5" diameter flue collar. For 4" and 6" diameter vent use reducer respective increaser as per CAN/CGA B-149.1 or ANSI Z223.1 /NFPA54, gas Installation Code for specific vent sizing.

Note:

For 6" diameter B Vent is required 4" diameter aluminum flex inserted

4", 5", 6" B-Vent installation

See the detailed drawings below and determine which installation best suits your application. Follow all the prescribed details installations as shown. Failing to do so can create an unsafe condition, which to lead to fire, safety hazard or injuries.

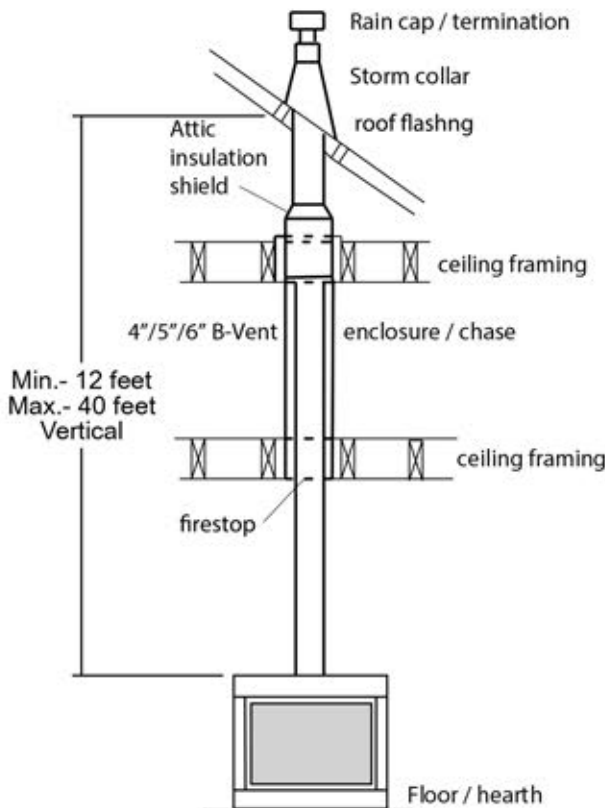


Figure 5. Straight through ceiling and roof installation, for 4", 5" and 6" diameter B-Vent.



• CAUTION •

Test your B-Vent installation after completion to ensure that no combustible by-products are spilling from the fireplace opening. This draft test should be performed after a ten (10) minute warm up period. The manufacturer will not be responsible for any installations with inadequate draw.



• ATTENTION •

Testez votre installation B-Vent après l'achèvement de s'assurer qu'aucun combustible des sous-produits se propageaient de l'ouverture du foyer. Ce projet de test doit être effectué après dix (10) minutes d'échauffement période. Le fabricant ne sera pas responsable de toutes les installations avec tirage insuffisant.

For ventings taller than 40 feet up to 100 feet must be used a **Power Venter** with 4" aluminum flex liner inserted into the BVent existing pipe.

• See details on PAGE 10 of this manual.

When installing SOLARA36 - Model SOL36BN(E) you must have a minimum 12 feet vertical vent pipe (See Figure 5). The venting must terminate vertically with an approved B-Vent rated pipe. A maximum 4 feet offset pipe with two 45° elbows is acceptable.

Confirming proper venting of Appliance.

To check for proper drafting use this procedure.

- 1). Place unit in operation and allow it to run for approximately 5 minute to establish a up-draft.
- 2). Using a match or something that will produce smoke, place it up to the opening of the draft hood and verify that the flame or smoke is being drawn into the draft hood. If the flame or smoke is blown away from the draft hood opening you may have to re-check the venting and verify if there is a minimum of 12 feet, or check the house for negative pressure.



Installation of SOLARA36 - Model SOL36BN(E) with Vanox PV1500 Powervent.

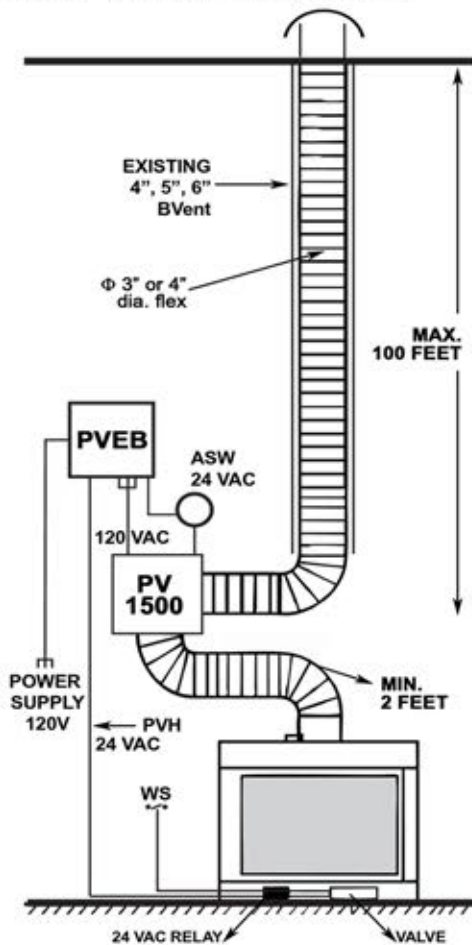


Figure 7. PV1500 Installation Schematic with 3" and 4" Φ flexible aluminum liner

Installation of SOLARA36 - Model SOL36BN(E) with existing In-Line Power Venters:
 1 - SJ and H1 (Montigo and Tjernlund),
 2 - RB735 (Napoleon, Hunter, Valor).

Minimum enclosure requirements: All the joints on the positive side pressure must be sealed with red silicone.

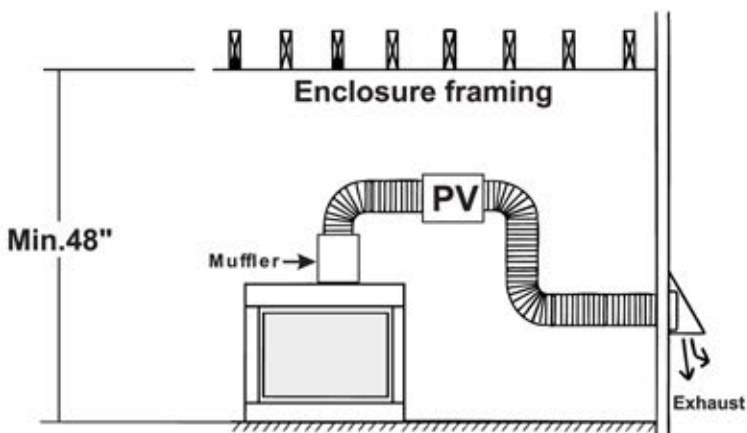


Figure 8. In-Line Power Venter

VANOX Power Venter PV1500 and Interlock Box PVEB



In-Line Power Venter RB735 (Napoleon, Hunter, Valor)



NOTE: When 4" diameter flexible liner is used with above power venters into a wood framing construction insulated zero clearance Maillard Jacket **MUST BE USED!**

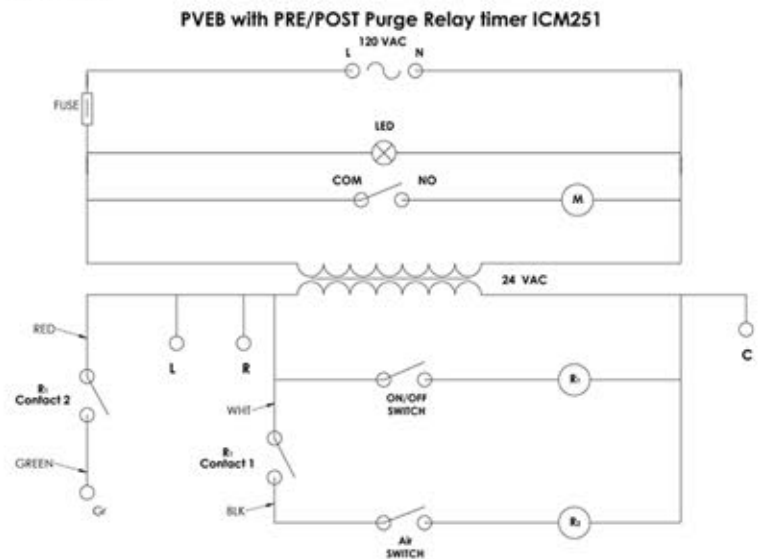


Figure 8. Electric diagram PVEB with pre-purge and post-purge sequence

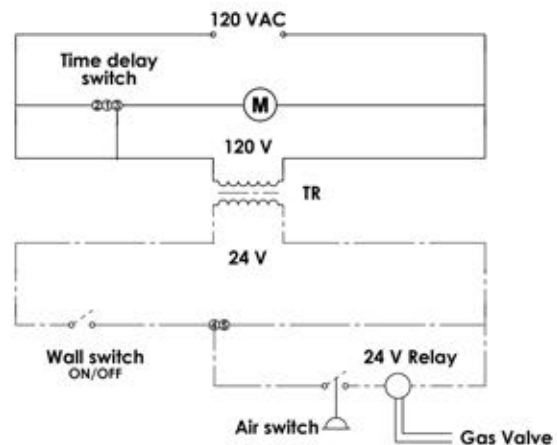


Figure 9. Electric diagram PVEB with post - purge sequence



Section 4: SOLARA36 - MODEL SOL36BN(E) Finishing and Combustible Mantels

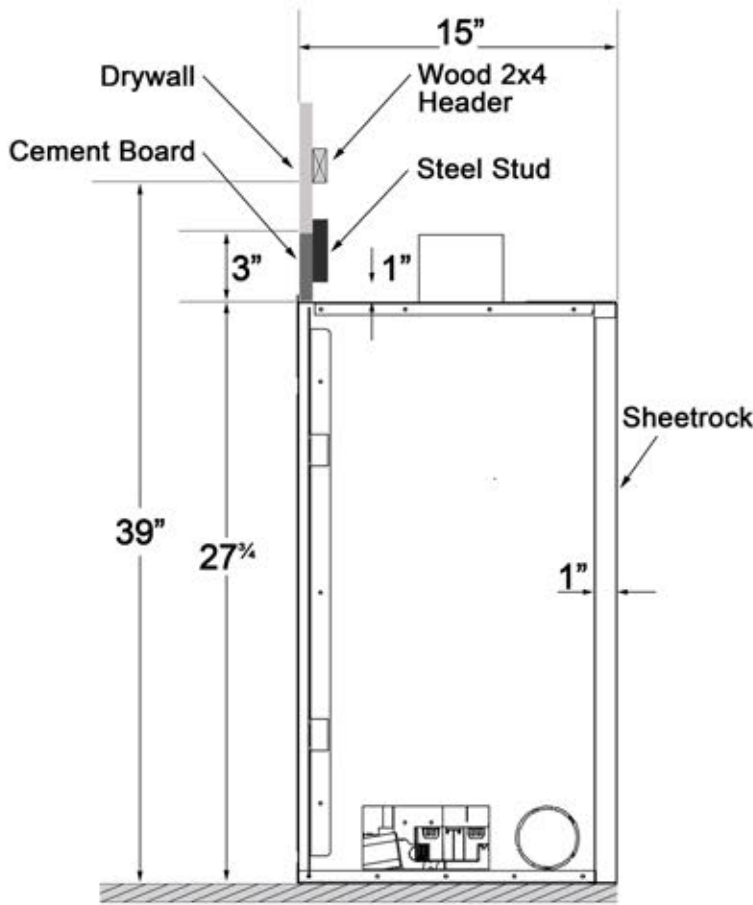
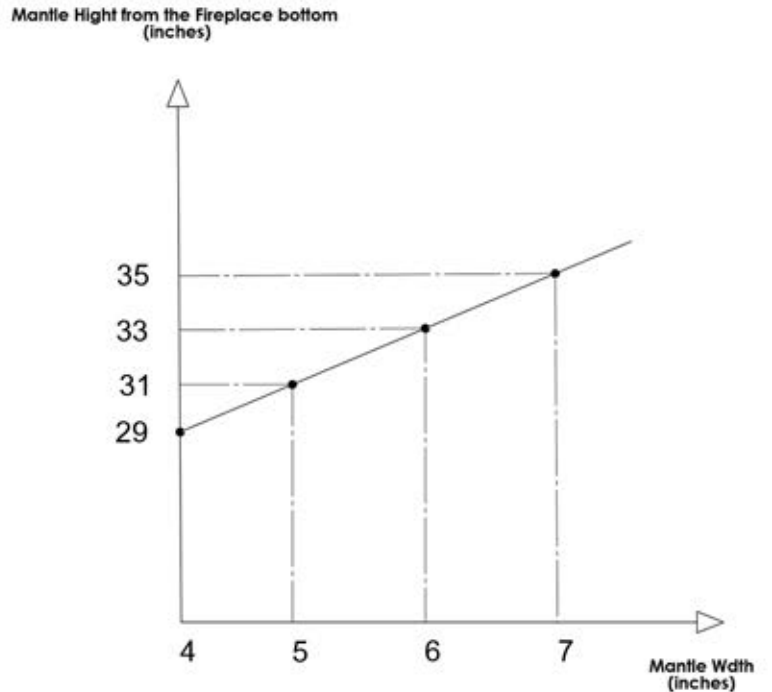


Figure 11. Combustible facings.

Fireplace Mantle Graph for SOLARA36 - MODEL SOL36BN(E)



SOLARA36 - MODEL SOL36BN(E) Mantel Graph

Figure 12. Combustible mantel clearances above fireplace.

Mantels & Surrounds

NOTE: National Canadian Gas Association mantel test requirements are for fire hazard prevention to combustible materials.

New technology, to meet consumer and government demands for the wise use of energy, has prompted us to manufacture many models of fireplaces which are hot, fuel and energy efficient.

Please be aware; temperatures over the mantel will rise above normal room temperature and walls above fireplace may be hot to touch.

We recommend careful consideration be given to the effects of elevated mantel temperatures which may be in excess of product design, for example: candles, plastic or pictures. This can cause melting, deformation, discoloration or premature failure of T.V. and radio components.

Painting:

Special care is recommended by the Master Painters and Decorators Association, when painting the fireplace surrounds, to select and apply a quality Alkyd sealer prior to the applying of latex paints. This is to prevent leaching of water from evaporation and causing a brownish staining effect to paint over coats.



For non-combustible facings please see details on PAGE 27 of this manual.

The fireplace is supplied with a framing kit (metal railings) which needs to be attached with screws to the fireplace in order to be secured to the framing.

- See the drawing on page #23



• WARNING •
 Combustible objects must not be placed on a non-combustible mantel unless the non-combustible mantel meets the minimum height and width requirements for a combustible mantel.

• AVERTISSEMENT •
 Objets combustibles ne doivent pas être placés sur un manteau non combustible à moins que le linteau incombustible est conforme aux exigences de hauteur et largeur minimum pour un manteau combustible.

• WARNING •

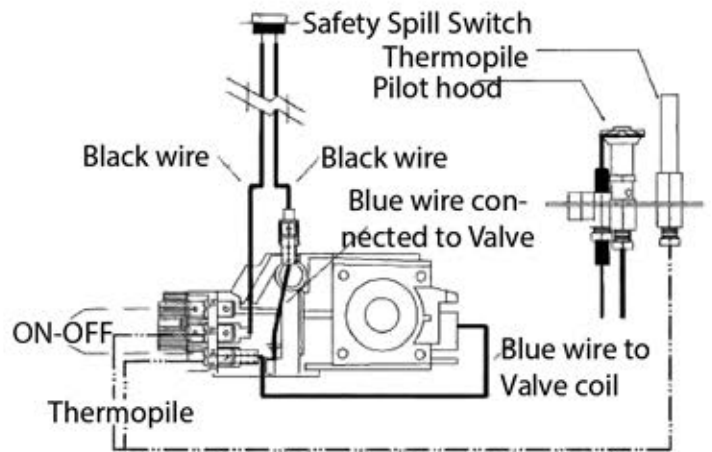
- Do not clean glass when hot.
- Do not use abrasive cleaners.
- Using a substitute glass will void all product warranties.
- Do not strike or abuse glass. Care must be taken to avoid breakage of glass
- Do not operate this fireplace without the glass front or with broken glass.

• AVERTISSEMENT •

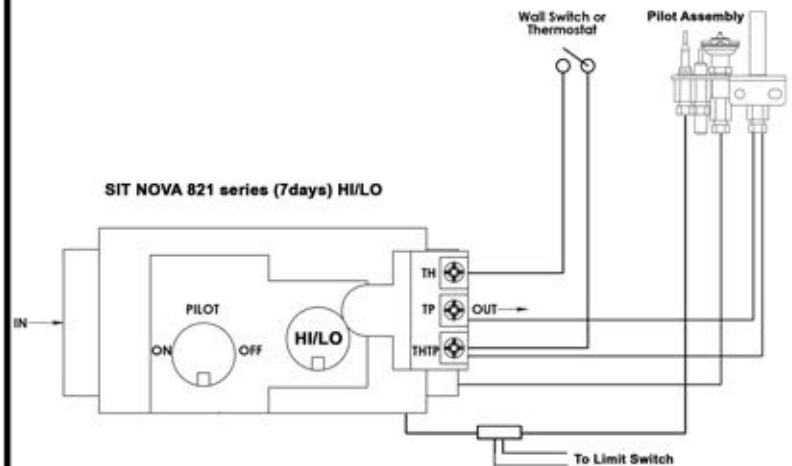
- Ne pas nettoyer la vitre lorsqu'elle est chaude.
- Ne pas utiliser de nettoyants abrasifs.
- Utilisation d'un verre de remplacement annulera toutes les garanties.
- Ne pas frapper ou malmenier la vitre. Des précautions doivent être prises pour éviter les bris de verre
- Ne pas faire fonctionner ce foyer sans les portes en verre ou avec du verre brisé.

Section 5: Millivolt Control Valve, Pilot Assembly and Safety Switch Wiring

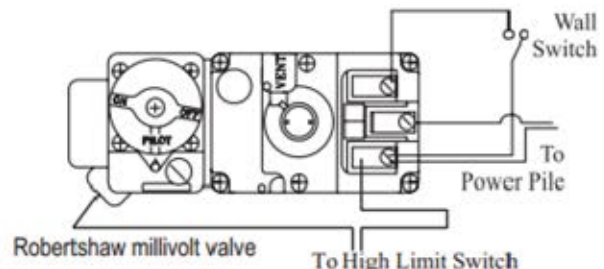
SIT Millivolt Valve, 820 series.



SIT Millivolt Valve 820 and 821 series (7 DAYS).



SOLARA36- Model SOL36BN
 Safety Limit Switch for Robertshaw 7000 series valve.



Installation of Limit Switch

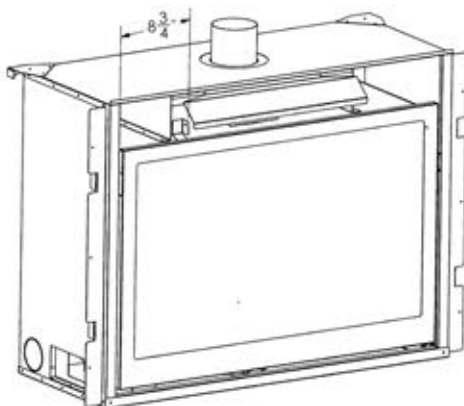


Figure 19. Limit Switch location for SOL36BN(E)



Each SOLARA36 - Model SOL36BN unit is supplied with a factory INSTALLED Limit switch as per the sketch shown on Page 12 - Figure 19

Gas Control and Pilot Wiring: IPI System



• WARNING •

Electrical grounding instructions. This appliance is equipped with a three-pronged (grounding) plug for your protection against shock hazard and should be plugged directly into a properly grounded three-pronged receptacle. Do not cut or remove the grounding prong from the plug.



• AVERTISSEMENT •

Électriques instructions de mise à la terre. Cet appareil est équipé d'un à trois broches (mise à la terre) prise pour votre protection contre les chocs hazzard et doit être branchée directement dans une prise à trois broches. Ne pas couper ou enlever la broche de terre de la fiche.

Note: Some models may have manual reset limit switch in series with the thermostat / wall switch circuit

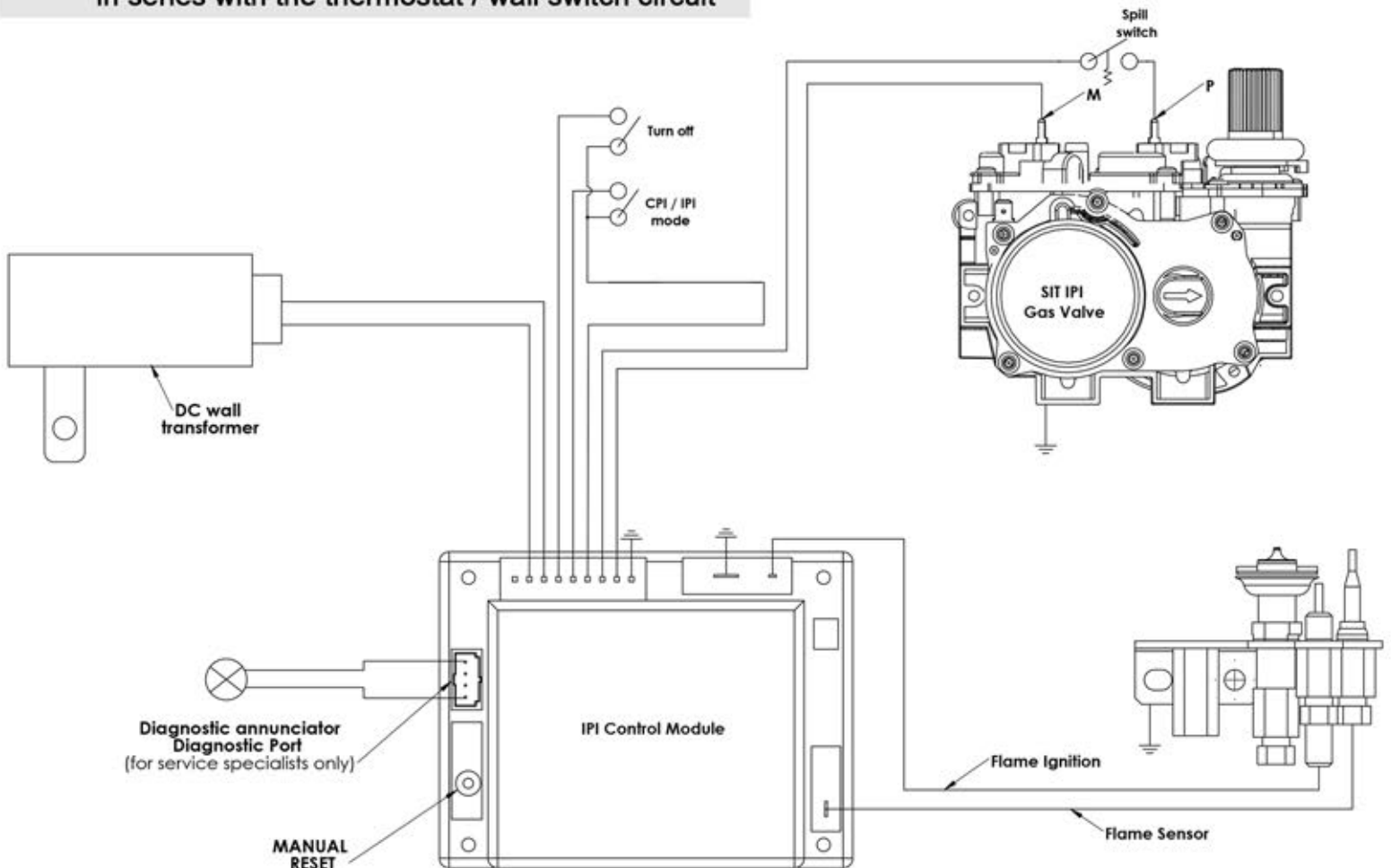
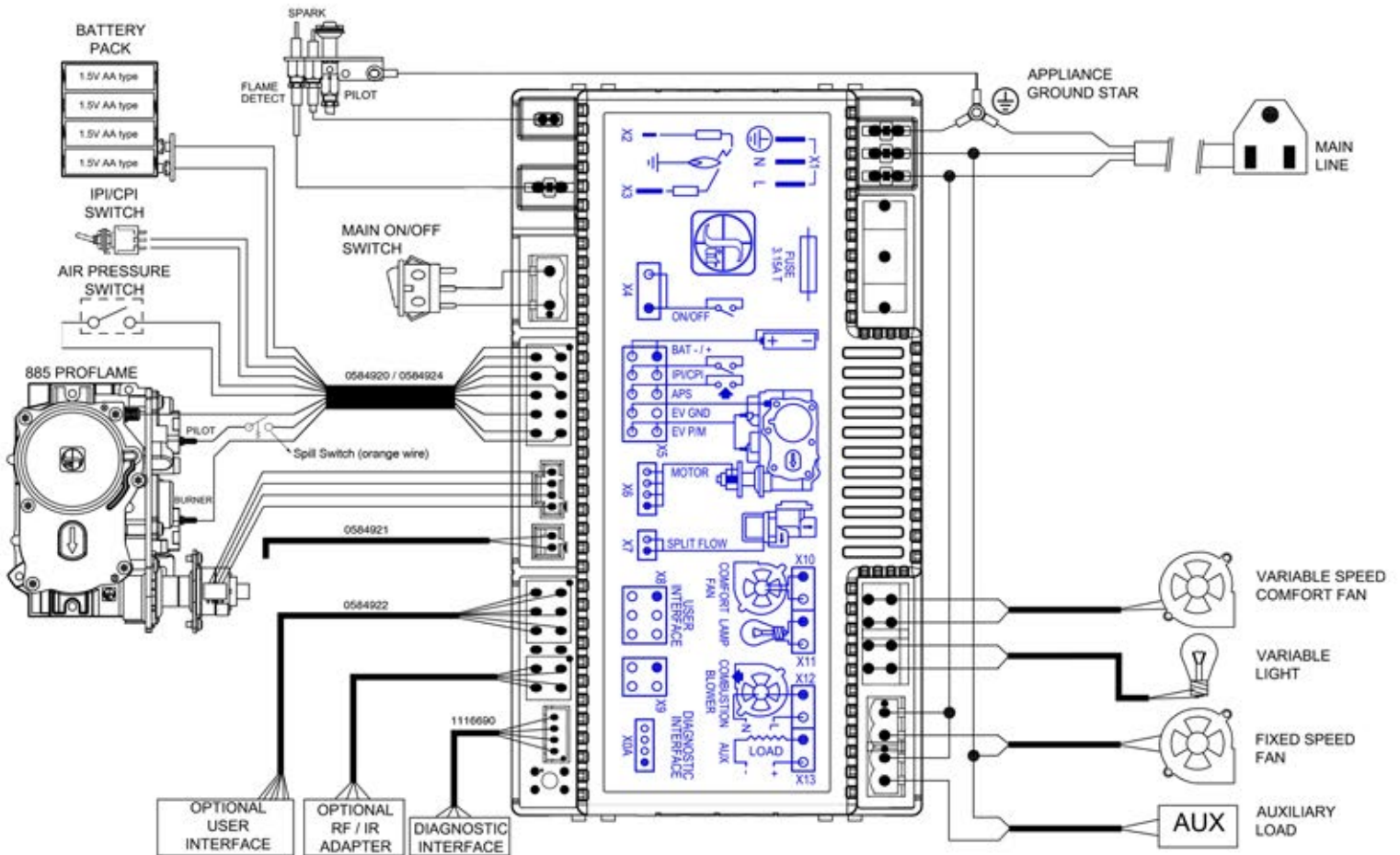


Figure 17. IPI Electronic gas valve SIT Proflame 1 SOLARA36 - Model SOL36BNE Fireplaces.



PROFLAME2 IFC USE AND INSTALLATION INSTRUCTIONS

Spare Parts List SOLARA36 Models

Millivolt Part Description	Part Number	IPI Part Description	Part Number
Gas Valve - SIT millivolt	RGV002	Gas Valve - SIT - IPI	RGV001
Gas Valve - Robertshaw millivolt	RGV003	Pilot Assembly SIT - IPI	RPA01
Pilot assembly SIT millivolt	RPA02	Flame sensor IPI	RFS01
Thermopile	RTP01	Flame sparker IPI	RSF02
Piezo SIT ignitor	PIEZO	IPI Ignition board	REB01
Pilot orifice millivolt	RP001	IPI Wire harness for remote control	RWH02
Door Assembly	RDALSOL36	IPI Wire harness for basic WS	RWH01
Burner Tube	RBATSOL36	IPI Transmitter - remote	RTT01
Burner Pilot orifice	RBO01	IPI Receiver	RRC01
Spill switch assy / wire / bracket	RFSSOL36	IPI A/C transformer	RTR01
Fan pack	RFK01-S	Pilot orifice IPI	RPO02
Fan wire harness	RWH03	Burner reflective white glass	RGW



Section 7: Installing the Gasline

Gasline Installation:

This gas appliance should be installed by a qualified installer in accordance with local building codes and with current CAN/CGA - B149.1 or .2 installation codes for Gas Burning appliances and equipment in Canada.

Installations in the USA must conform to the local codes or in the absence of local codes to the current version of National Fuel Gas Code, ANSI Z223.1/NFPA 54. Electrical Installations must conform to the local codes or, in the absence of local codes, to the current version of the National Electrical Code, ANSI/NFPA 70. See Appendix C for installation within the State of Massachusetts.

1. The gas pipeline can be brought into the fireplace through the left or right side of the appliance. Knockouts are provided at either location to allow for the gas pipe installation, and testing of any gas connection.
2. The gas control inlet is 3/8" NPT.
3. When using copper or flex connector, use only approved fittings. Always provide a union so that gas line can be easily disconnected for burner or fan servicing. See gas specification for pressure details and ratings.
4. When a vertical section of gas pipe is required for the installation, a condensation trap is needed. See CAN/CGAB149.1 or .2 for code details.
5. For natural gas, a minimum of 3/8" iron pipe or copper tubing need be used for supply from the gas meter. Consult with the local gas utility if any questions arise concerning pipe sizes.
6. 1/8" NPT plugged tappings are accessible for test gauge connection both on the inlet and outlet of the gas valve.
7. Turn the gas supply ON and check for leaks. DO NOT USE OPEN FLAME FOR THIS PURPOSE. Use an approved leak testing solution.
8. The appliance and its individual shutoff valve must be disconnected from the gas supply piping system during any pressure testing of that system at test pressures in excess of 1/2 PSIG (3.5 KPa).
9. The appliance must be isolated from the gas supply piping system by closing its individual shutoff valve during any pressure testing of the gas supply piping system at test pressures equal to or less than 1/2 PSIG (3.5 KPa).

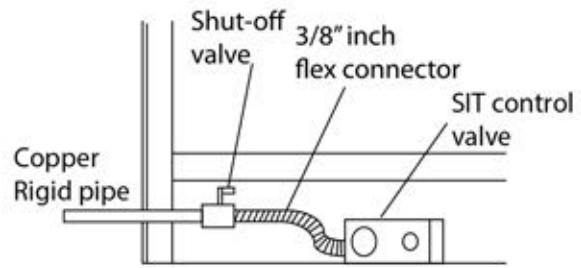


Figure 25. Gas Line / Valve Installation.

Gas Specifications and Ratings:

SOLARA36 Model - SOL36BN(E)

NG - Millivolt & IPI; Max:18,000 BTU/h - Min. 14,000 BTU/h
 Gas Inlet Supply Pressure:Min. 5.5" WC - Max. 14.7" WC
 Manifold Pressure: Max. 3.5" WC - Min. 1.5" WC
 Orifice Size, #46DMS.



• WARNING •

A Qualified Electrician must connect electrical wiring to junction outlet for built-in installation.



• AVERTISSEMENT •

Un électricien qualifié doit raccorder le câblage électrique à la sortie de la jonction pour l'installation intégrée.



• WARNING •

Label all wires prior to disconnection when servicing controls. Wiring errors can cause improper or dangerous operation. Verify proper operation after servicing.



• AVERTISSEMENT •

Identifiez tous les fils avant de les débrancher lors des contrôles. Les erreurs de câblage peuvent provoquer un mauvais fonctionnement ou dangereux. Vérifier le bon fonctionnement après l'entretien.



FOR YOUR SAFETY - READ BEFORE LIGHTING:


WARNING: If you do not follow these instructions exactly, a fire or explosion may result causing property damage, personal injury or loss of life.

- A. This appliance has a pilot which must be lit by hand. When lighting the pilot, follow these instructions exactly.
- B. BEFORE LIGHTING smell all around the appliance area for gas. Be sure to smell next to the floor because some gas is heavier than air and will settle on the floor.

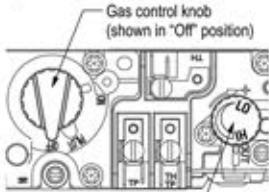
What To Do If You Smell Gas:

 - Do not try to light any appliance.
 - Do not touch any electrical switch; do not use any phone in your building.
 - Immediately call your gas supplier from a neighbour's phone. Follow the gas supplier's instructions.
- If you cannot reach your gas supplier, call the Fire Department.
- C. Use only your hand to push in or turn the gas control knob. Never use tools. If the knob will not push in or turn by hand, don't try to repair it, call a qualified service technician. Force or attempt to repair may result in a fire or explosion.
- D. Do not use this appliance if any part has been under water. Immediately call a qualified service technician to inspect the appliance and to replace any part of the control system, and any gas control which has been under water.

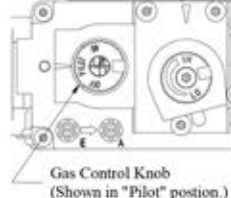
LIGHTING INSTRUCTIONS:

1. STOP! Read the safety information above on this label.
2. Locate the gas control behind the lower trim, or on the rear left side (on Cast stoves).
3. Push in gas control knob and turn clockwise  to "OFF."
4. Wait five (5) minutes to clear out any gas. Smell for gas, including near the floor. If you then smell gas, STOP! Follow "B" in the safety information above on this label. If you don't smell gas, go to the next step.

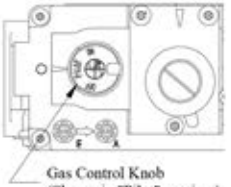
NOTE: Knob cannot be turned from "PILOT" to "OFF" unless knob is pushed in slightly. Do not force.




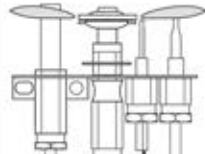
Hi/Lo control knob
HONEYWELL VALVE.




Gas Control Knob
(Shown in "Pilot" position.)
SIT 820 HI/LO VALVE.




Gas Control Knob
(Shown in "Pilot" position.)
SIT 820 ON/OFF VALVE.
5. Locate pilot burner (See illustration at right.) and follow steps below.
6. Turn knob on gas control counterclockwise  to "PILOT."
7. Push in gas control knob completely and hold. Light with Piezo Igniter button. Continue to hold the control knob in for about (1) minute after the pilot is lit. Release the knob and it will pop back up. Pilot should remain lit. If it goes out repeat steps 3 through 8.



Typical pilot shown, see instruction manual for pilot specific to your model.

 - If knob does not pop up when released. Stop and immediately call your service technician or gas supplier.
 - If the pilot will not stay lit after several tries, turn the gas control knob to "OFF" and call your service technician or gas supplier.
8. Push in gas control knob and turn counterclockwise  to "ON."
9. Turn on remote switch to ignite fire.

TO TURN OFF GAS TO APPLIANCE:

1. Turn off remote switch.
2. Locate the gas control behind the lower trim, or on the rear left side of the unit.
3. Push in gas control knob slightly and turn  clockwise to "Off". Do not force.

P/N LB1169- 03/2002



SIT Millivolts Valve:

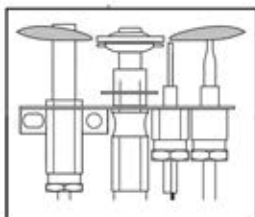
POUR PLUS DE SÉCURITÉ, LIRE AVANT D'ALLUMER:

AVERTISSEMENT: Quiconque ne respecte pas à la lettre les instructions dans la présente notice risque de déclencher un incendie ou une explosion entraînant des dommages, des blessures ou la mort.

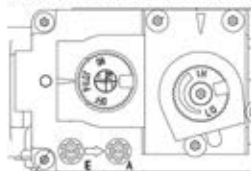
- A. Cet appareil est muni d'une veilleuse qui doit être allumée manuellement. Respectez les instructions cidessous à la lettre.
- B. **AVANT D'ALLUMER LA VEILLEUSE**, renifllez tout autour de l'appareil pour déceler une odeur de gaz. Renifllez près du plancher, car certains gaz sont plus lourds que l'air et peuvent s'accumuler au niveau du sol.
QUE FAIRE SI VOUS SENTEZ UNE ODEUR DE GAZ:
 - Ne pas tenter d'allumer d'appareil.
 - Ne touchez à aucun interrupteur; ne pas vous servir des téléphones se trouvant dans le bâtiment.
 - Appelez immédiatement votre fournisseur de gaz depuis un voisin. Suivez les instructions du fournisseur.
- Si vous ne pouvez rejoindre le fournisseur, appelez le Service Des Incendies.
- C. Ne pousser ou tourner la manette d'admission du gaz qu'a la main. Ne jamais employer d'outil à cette fin. Si la manette reste coincée, ne tentez pas de la réparer; appelez un technicien qualifié. Quiconque tente de forcer la manette ou de la réparer peut provoquer une explosion ou un incendie.
- D. N'utilisez pas cet appareil s'il a été plongé dans l'eau, même partiellement. Faites inspecter l'appareil par un technicien qualifié et remplacez toute partie du système de contrôle et toute commande qui ont été plongés dans l'eau.

INSTRUCTION D'ALLUMAGE:

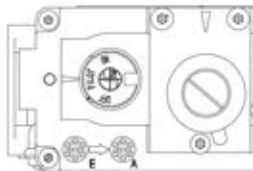
1. **ARRÊTEZ!** Lisez les instructions de sécurité sur la portion supérieure de cette étiquette.
2. Localiser la valve située derrière la persienne du bas, ou bien sur le côté gauche (dans le cas du poêle en fonte).
3. Pousser sur le bouton de la valve et tourner dans le sens des aiguilles d'une montre à la position "Off".
4. Attendre cinq (5) minutes pour laisser échapper tout le gaz. Renifllez tout autour de l'appareil, y compris près du plancher, pour déceler une odeur de gaz. Si vous sentez une odeur de gaz, **ARRÊTEZ!** Passez à l'étape "B" des instructions de sécurité sur la portion supérieure de cette étiquette. S'il n'y a pas d'odeur de gaz, passez à l'étape suivant.
5. Localiser la flamme de la veilleuse, (Voir l'illustration à droite) et suivre la marche suivante.



NOTE: Le bouton de contrôle de la valve ne peut pas être placé à la position "Off" de la position "Pilot", vous devez exercer une légère pression sur le bouton, NE PAS LE



SIT 820 HI/LO VALVE



SIT 820 ON/OFF VALVE

6. Tourner le bouton de contrôle de la valve dans le sens contraire des aiguilles d'une montre à la position "PILOT".
7. Pousser complètement au fond le bouton d'entrée des gaz et tenir dans cette position, allumez en poussant sur le bouton du PIEZO. Continué à tenir enfoncé le bouton de contrôle durant environ une minute après que la veilleuse soit allumée. Relacher le bouton et il reprendra sa position, la veilleuse devrait demeurer allumée. Si la veilleuse s'éteint, refaire la procédure depuis le numéro 3 jusqu'à 8.
 - Si la manette ne se soulève pas d'elle-même lorsqu'on la relâche, arrêter et appeler immédiatement un technicien qualifié ou le fournisseur de gaz.
 - Si la veilleuse ne reste pas allumée après plusieurs tentatives, réglez la manette d'admission du gaz à la position OFF et appelez un technicien qualifié ou le fournisseur de gaz.
8. Pousser sur le bouton de contrôle de la valve et tourner dans le sens contraire des aiguilles d'une montre jusqu'à la position "On".
9. Mettre l'interrupteur à la position "On" pour ainsi allumer le feu.

COMMENT COUPER L'ADMISSION DE GAZ DE L'APPAREIL:

1. Interrupteur d'arrêt, contrôle à distance.
2. Localiser la valve située derrière la persienne du bas, ou bien sur le côté gauche (dans le cas du poêle en fonte).
3. Pousser légèrement sur le bouton de contrôle de la valve dans le sens des aiguilles d'une montre, à la position "Off". NE PAS FORCER.

P/N LB1169F- 03/2002



SIT IPI Valve:

Proflame SIT Electronic Ignition

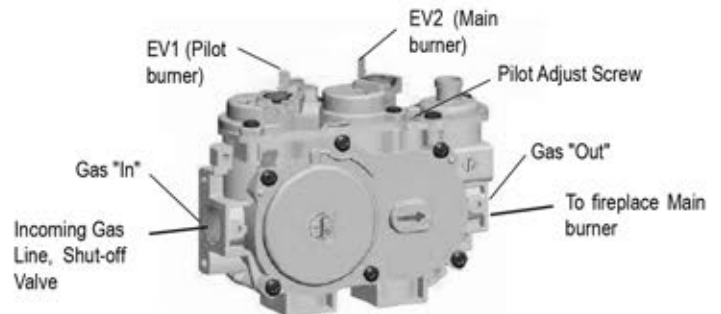
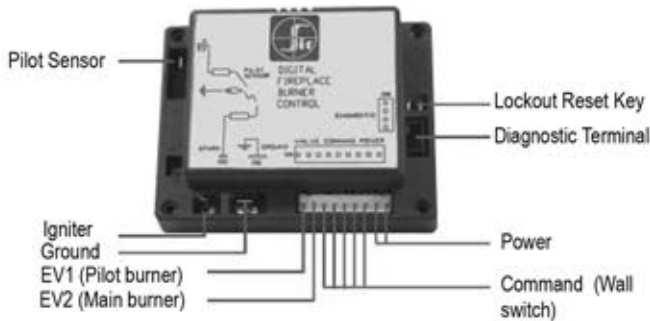
For Your Safety - READ BEFORE LIGHTING:

WARNING! If you do not follow these instructions exactly, a fire or explosion may result causing property damage, personal injury or loss of life.

- A. This appliance is equipped with an ignition system that lights the pilot burner automatically. Do not attempt to light the pilot by hand.
- B. BEFORE LIGHTING smell all around the appliance area for gas. Be sure to smell next to the floor because some gas is heavier than air and will settle on the floor.
 What To Do If You Smell Gas:
 - Do not try to light any appliance.
 - Do not touch any electrical switch; do not use any phone in your building.
 - Immediately call your gas supplier from a neighbour's phone. Follow the gas supplier's instructions.
 - If you cannot reach your gas supplier, call the Fire Department.
- C. Use only your hand to push in or turn the gas control knob. Never use tools. If the knob will not push in or turn by hand, don't try to repair it, call a qualified service technician. Force or attempt to repair may result in a fire or explosion.
- D. Do not use this appliance if any part has been under water. Immediately call a qualified service technician to inspect the appliance and to replace any part of the control system, and any gas control which has been under water.

Lighting Instructions:

1. STOP! Read the safety information above on this label.
2. Remove the lower Horizontal access panel.
3. Turn Incoming gas valve to the "ON" position.
4. Wait 5 minutes to clear out any gas. If you smell gas, STOP! Follow "B" in the safety information above on this label. If you don't smell gas, go to the next step.
5. Turn wall switch "ON".
6. If the Fireplace does not light, the System will cycle through two trials, (one minute audible clicking, thirty seconds of silence, and then another one minute of audible clicking).
7. After completion of the information in the Troubleshooting section, Repeat step 5.
8. If the system will not function correctly, follow the instructions "To Turn Off Gas To Appliance" and call your service technician or gas supplier.



To Turn Off Gas To Appliance:

1. Turn off remote switch.
2. Remove the lower Horizontal access panel.
3. Turn the incoming gas control valve to "Off".
4. Replace the lower Horizontal access panel.



Fonctionnement



Sequence de Demarrage de la soupape de gaz SIT-IP1

Pour Votre Sécurité - LISEZ AVANT D'ALLUMER LE FOYER:

AVERTISSEMENT! Si les instructions d'installation et d'utilisation présente dans ce manuel ne sont pas respectées, cela peut créer un incendie ou une explosion entraînant des dommages matériels ou corporel.

- A. Cet appareil est pourvu avec un système d'ignition qui allume la veilleuse automatiquement. N'essayez pas d'allumer la veilleuse manuellement.
- B. Avant d'allumer le foyer sentez autour du foyer. Sentez près du plancher parce que le gaz est plus lourd que l'air et il y restera.

QUE FAIRE SI ON SENT DU GAZ:

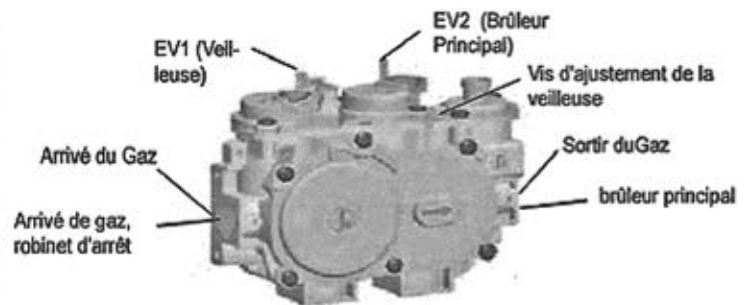
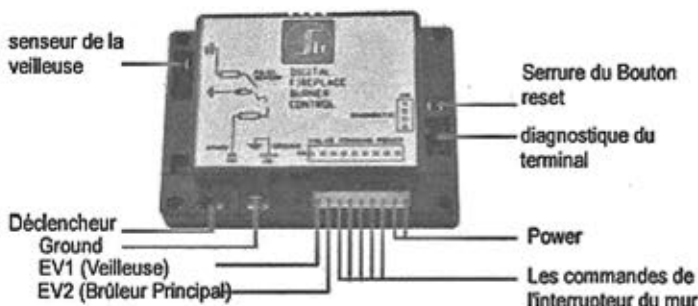
- N'essayez pas d'allumer aucun appareil.
- Ne touchez à aucun interrupteur électrique; n'utilisez aucun téléphone dans votre immeub.
- Appelez immédiatement votre fournisseur de gaz de la

maison de votre voisin et suivez ses instructions.

- Si vous ne parvenez pas à contacter votre fournisseur de gaz, appelé les pompiers.
- C. Utilisez seulement vos mains pour pousser pour enfoncer le bouton de contrôle du gaz ou pour le tourner. N'utilisez jamais d'outils! Si le bouton ne tourne pas ou ne s'enfonce pas, n'essayez pas de le réparer, appelé un technicien certifié. La force ou toute tentative de réparation peut causer un incendie ou une explosion.
- D. N'utilisez pas ce foyer si une partie quelconque a été submergée. Appelez immédiatement un technicien qualifié pour l'inspecter et pour remplacer toute pièce du système de contrôle et du contrôle du gaz qui a été submergé

Instructions d'allumage:

1. STOP! Veuillez lire les conseils de sécurité ci-dessus.
2. Soulever le panneau d'accès horizontale du bas.
3. Tourner la soupape d'arrivé du gaz sur la position "ON".
4. Attendez 5min avant de purger tout gaz. Si vous sentez du gaz, ARRETEZ-VOUS! SUIVEZ la section "b" des conseils d'utilisation ci-dessus. Si vous ne sentez pas de gaz passer à la prochaine étape.
5. Tourner l'interrupteur situer au mur sur "ON".
6. Si le foyer ne s'allume pas, le système fera 2 cycles d'essai, (une minute de click audible, 30 seconde de silence, et puis, une autre minute de click audible).
7. Après l'achèvement des informations de la sections de dépannage, refaite l'étape 5.
8. Si le foyer ne marche pas bien veuillez suivre les instructions "Comment couper l'arrivé du gaz du foyer" et appelez votre technicien de service ou votre fournisseur de gaz.



Pour couper l'arriver du gaz du foyer:

1. Eteignez la télécommande.
2. Soulevez le panneau d'accès horizontal du bas.
3. Tournez la soupape de gaz sur "OFF".
4. Remplacer le panneau d'accès horizontal du bas.



Section 9: OPTIONAL CIRCULATING BLOWER

The SOLARA36 Model SOL3628BN(E) gas fireplace can be equipped with a 120VAC, 60Hz. circulating blower.

The circulating blower has been designed to increase the efficiency of convection heat by providing a very quiet air flow over the combustion chamber of the fireplace and discharging heated air into your living space.

The blower can be controlled by turning the black knob (located below the control compartment) clockwise to slow the fan down, and counterclockwise to speed the fan up.

The blower is automatically controlled by a thermally activated switch positioned which is behind behind the burner and below the burner tray. It will be activated when the Fireplace has heated up, (automatically 15-20 minutes), and will prevent the blower from operating when the fireplace is cold.

NOTE: ALL electric work on this fireplace must conform with local building codes, and CSA 2.22 electrical code requirements.



• WARNING •

Electrical grounding instructions. This appliance is equipped with a three-pronged (grounding) plug for your protection against shock hazard and should be plugged directly into a properly grounded three-pronged receptacle. Do not cut or remove the grounding prong from the plug.

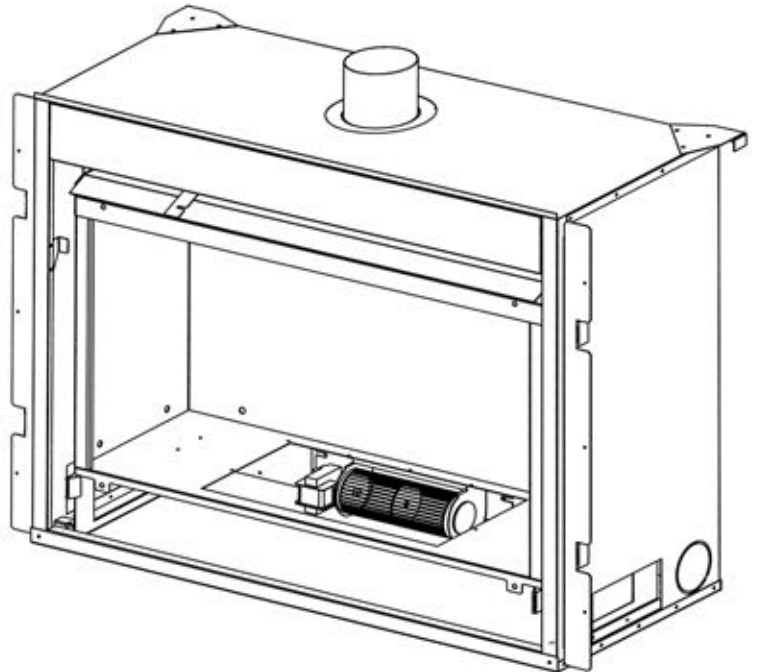


• AVERTISSEMENT •

Électriques instructions de mise à la terre. Cet appareil est équipé d'un à trois broches (mise à la terre) prise pour votre protection contre les chocs hazzard et doit être branchée directement dans une prise à trois broches. Ne pas couper ou enlever la broche de terre de la fiche.

Blower Installation Steps:

- 1) Remove fireplace lava tray
- 2) Disconnect the gas line from the burner train and remove the burner
- 3) Attach the fan kit to the back wall bolts using the supplied star nuts
- 4) Attach the wiring harness to the bottom of the burner tray sliding the fan thermo disk into the appropriate bracket support
- 5) Connect the blower wires with the wiring harness and plug the cord into the receptical
- 6) After connecting the wiring harness bundle wires together to keep them away from the blower blades and the hot bottom pan to avoid melt up
- 7) **Ensure the blower is fasten securely in order to avoid vibration and noise of the blower when running.**



IMPORTANT

DISCONNECT POWER SUPPLY BEFORE SERVICING

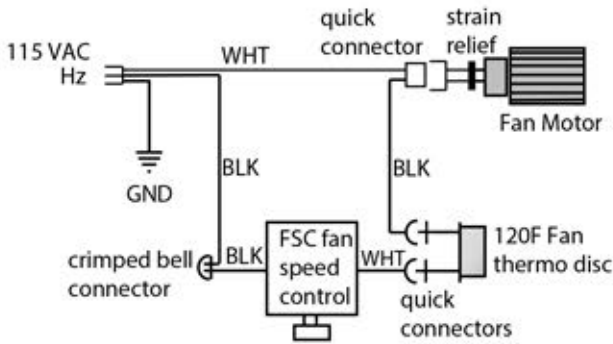


Figure 34. Circulating blower and fan speed controller wiring.

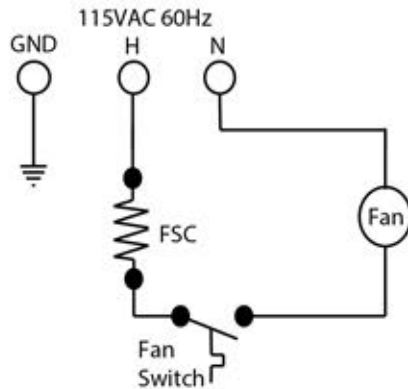


Figure 35. Circulating blower wiring diagram.

Lighting Instructions Operation

See Page 19 - 20 & 21 - 22.

Burner Adjustment Air Shutter for tube burner and pan burner:

The burner aeration is factory set for glass but i may require adjusting due to local gas supply, high altitude or air supply.

- For glass tube burner 1/8 open
- For firestones tube burner - 1/4 open
- For driftwood tube burner - 1/2 open
- For pan burner - closed

Glass Media Placement

Each unit is supplied with 6lbs of glass media, 1/2" inch reflective glass.

For a better burner performance do not place the media glass greater than one layer over the burner ports.



Figure 36. Glass burner with 1/2" reflective glass.

Driftwood Log Instalation



Figure 37. Logs placement 1 to 4



Figure 38. Logs placement 5 to 9

Burner media for this set-up could be speckled stones or brown crushed glass.



Burner Adjustments:

SOLARA36 Models are equipped with Hi/Lo burner adjustment witch allow to lower or raise the flame.

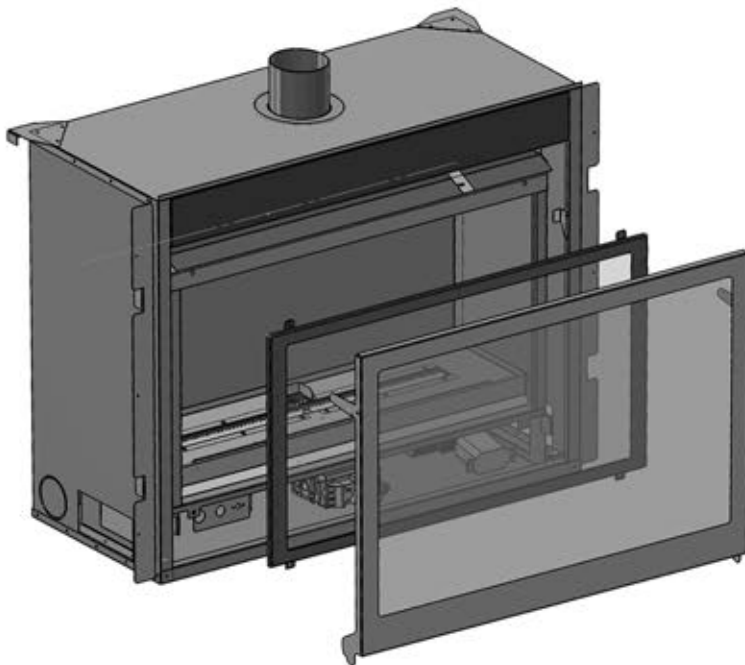
- A • For models equipped with SIT NOVA820 & 821 MILIVOLT



- B • For models with SIT Proflame Electronic Ignition



SOLARA36 Faceplate and Door Removal



General:

1. Have the fireplace inspected yearly, including a visual check of the vent system, the burner and the pilot flame.
2. For Natural Gas this appliance requires a minimum inlet pressure of 5.5" W.C. and a manifold pressure of 3.5" W.C.
3. Always keep the fireplace area clear and free of combustible materials, as well as gasoline and other flammable vapours and liquids.
4. Do not use this appliance if any part has been under water. Immediately call a qualified service technician to inspect the appliance and to replace any part of the control system and any gas control which has been under water.

Cleaning:

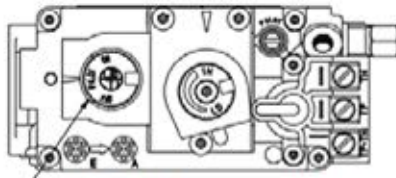
When the fireplace is first activated, there may be some smoking and a visible film may be left on the glass. This is a normal condition, and is the result of burning of protective coatings on new metal.

1. Glass must be cleaned periodically to remove any film (which is a normal biproduct of combustion) which may be visible. Film can easily be removed by removing the door, as shown on page 12. Handle the door carefully, and clean it with non-abrasive glass cleaners. One of the most effective products is Kel Kem.
2. Silicone seals on inner door during initial firing will "off gas", leaving a visual deposit of a white substance on combustion chamber walls. This can easily be removed using normal household products.
3. Use a vacuum cleaner or whisk broom to keep the control compartment, burner, and firebox free from dust and lint.



Maintenance

Gas Control Valve:



Gas Control Knob
(Shown in "Pilot" position.)

NOTE: Knob cannot be turned from "PILOT" to "OFF" unless knob is pushed in slightly. Do not force.

Figure 40. SIT Nova 820 gas valve.

Pilot Burner Adjustment:

1. Locate Pilot Adjustment Screw. (See figure 19.)
2. Adjust pilot screw to provide properly sized flame as shown in figure 19).
3. After installing or servicing, leak test with a soap solution with main burner on. Coat pipe and tubing joints, gasket etc. with soap solution. Bubbles indicate leaks. Tighten any areas where the bubbles appear until the bubbling stops completely.

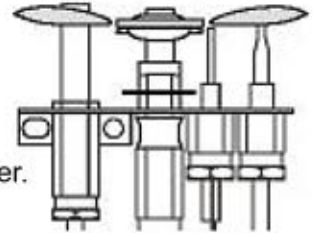
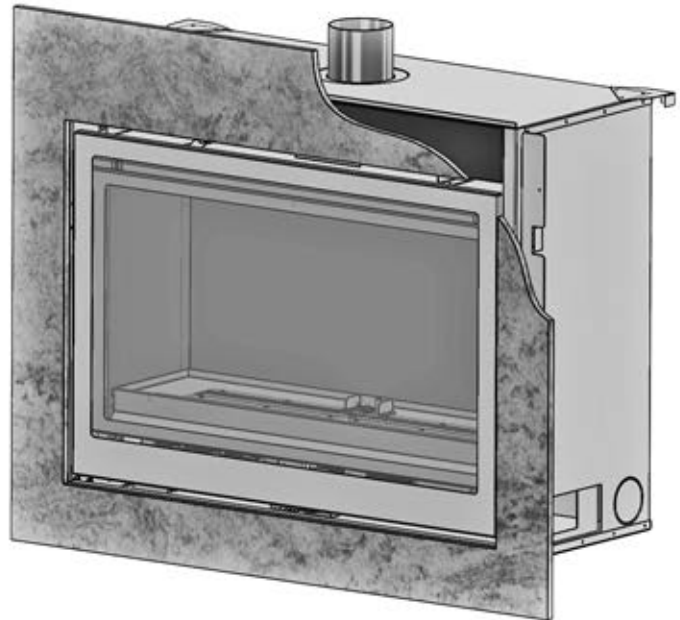
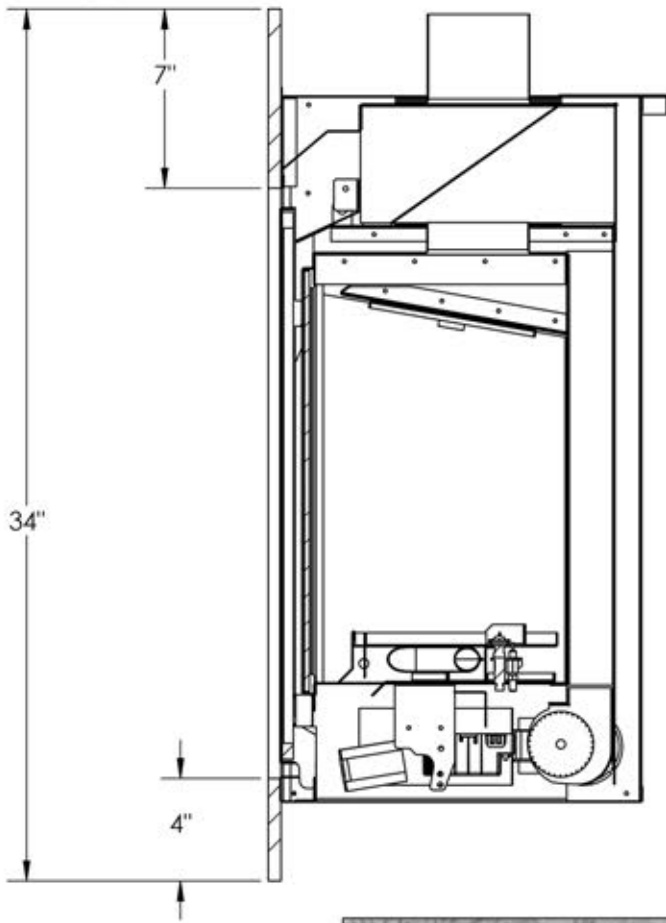


Figure 41. Pilot Burner.

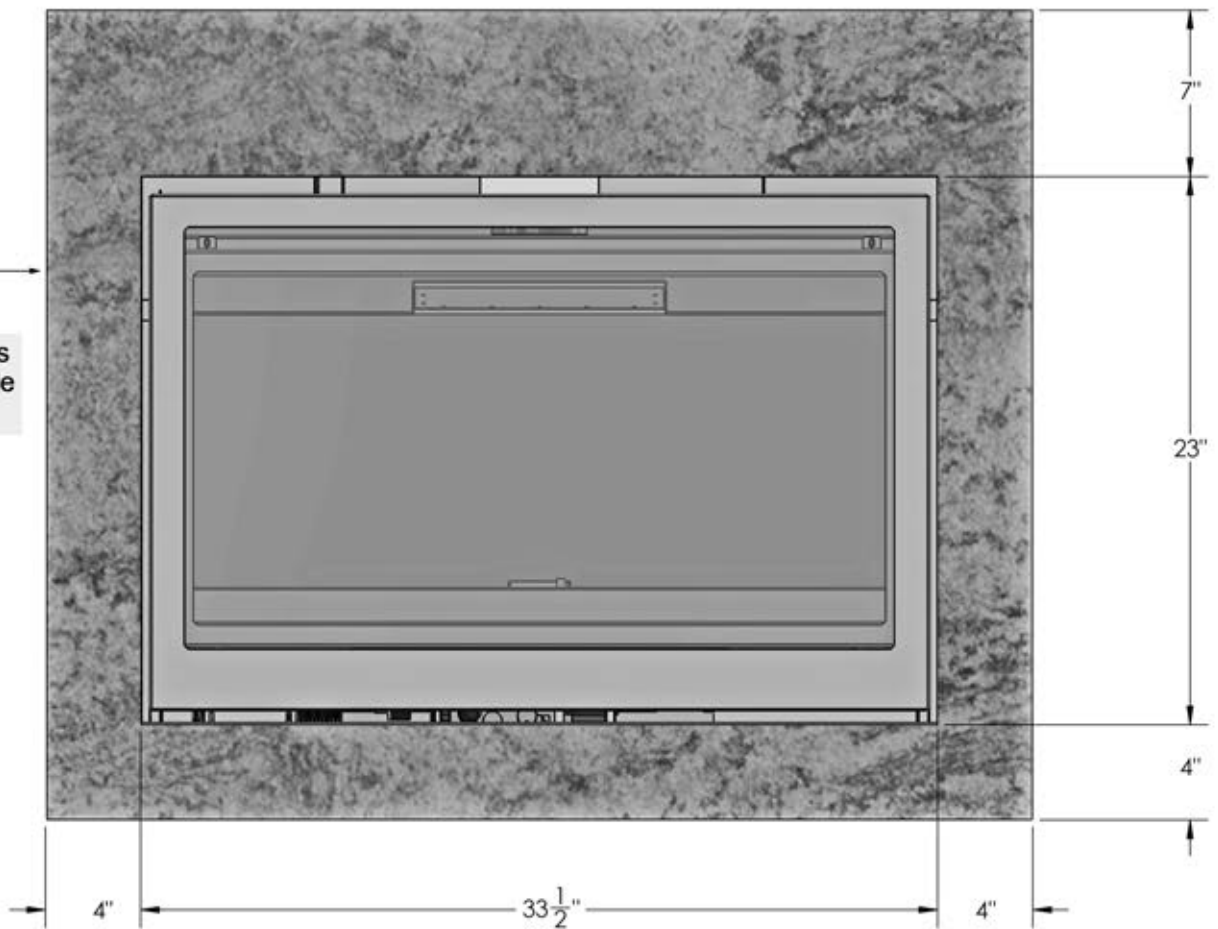
Troubleshooting: The following information grid is a troubleshooting chart of possible problems:

NOTE: Before troubleshooting the gas control system, be sure external gas shut off is in the "ON" position.

Problem	Possible Causes	Corrective Action
Spark igniter will not light.	Defective or misaligned electrode at pilot.	Check for spark at electrode and pilot: If no spark and electrode wire is properly connected, replace igniter.
	Defective igniter (push button)	Using a match, light pilot. If pilot lights, turn off pilot and push the red button again. If pilot will not light - check gap at electrode and pilot should be 1/8" to 1/4" to have a strong spark.
Pilot will not stay lit after carefully following lighting instructions.	Defective safety spill switch	Check pilot flame. Must impinge on generator and thermocouple. Clean and/or adjust pilot for maximum flame impingement on generator and thermocouple. Be sure wire connections from spill safety switch are connected securely to wires on back of valve. If pilot still doesn't light, unplug spill switch wires at valve and then plug thermocouple wires, (blue) together. If this works, the spill switch is defective.
	Defective Thermocouple	Replace Thermocouple
	Defective valve magnet	Turn valve knob to "ON", place wall switch on "ON" millivolt meter should read greater than 100mV. If the reading is okay and the burner does not come on, replace the gas valve.
	Wall switch or wires defective.	Check wall switch and wires for proper connections. Jumper wires across terminals at wall switch. If burner comes on, replace defective wall switch. If okay, jumper wires across wall switch wires at valve. If burner comes on, wires are faulty, or connections are bad.
Pilot burning, no gas to burner, Valve knob "ON" Wall switch, "ON".	Generator may not be generating sufficient voltage.	Check generator with millivolt meter. Take reading at generator terminals at gas valve. Should read 325 millivolts minimum while holding valve knob depressed in pilot position and wall switch "Off". Replace faulty generator if reading is below specified minimum.
	Plugged burner orifice	Check burner orifice for stoppage and remove.
	Defective Automatic valve operator.	Remove wall switch wires from gas valve, install jumper wires from top bottom terminals of gas valve. Turn valve "ON". If main burner does not light, replace valve.
Frequent Pilot outage problem	Pilot flame may be too low or blowing (high) causing the pilot safety to drop out.	Clean and / or adjust pilot flame for maximum flame impingement on generator and thermocouple.



✓ Minim dimensions for non-combustible facing





The Warranty

The Companies warrants the Vanox Gas Appliance to be free from defects in materials and workmanship at the time of manufacture. On the Vanox fireplace, there is a ten-year warranty on the firebox and its components, a five-year warranty on the main burner and pilot burner, and a one-year warranty on the gas control valve. The Glass, plated / painted finishes are exempt from the warranty.

Remedy And Exclusions

The coverage of this Warranty is limited to all components of the Gas Appliance manufactured by The Companies.

This Warranty only covers Vanox Gas Appliances installed in the USA and Canada. If the components of the Gas Appliance covered by this Warranty are found to be defective within the time frame stated (see The Companies right of investigation outlined below). The Companies will, at its option, replace or repair defective components of the Gas Appliance manufactured by The Companies at no charge, and will also pay for reasonable labour costs incurred in replacing or repairing components. If repair or replacement is not commercially practical, The Companies will, at its option, refund the purchase price of the Vanox Gas Appliance. This Warranty covers only parts and labour as provided above. In no case shall The Companies be responsible for materials, components, or construction which are not manufactured or supplied by The Companies, or for the labour necessary to install, repair or remove such materials, components or construction. All replacement or repair components will be shipped F.O.B. the nearest The Companies factory.

Qualifications To The Warranty

The Gas Appliance Warranty outlined above is further subject to the following qualifications:

- (1) The Gas Appliance must be installed in accordance with The Companies installation instructions and local building codes. The Warranty on this Vanox Gas Appliance covers only the component parts manufactured by The Companies. The use of components manufactured by others with this Vanox Gas Appliance could create serious safety hazards, may result in the denial of certification by recognized national safety agencies, and could be in violation of local building codes. This warranty does not cover any damages occurring from the use of any components not manufactured or supplied by The Companies
- (2) The Vanox Gas Appliance must be subjected to normal use. The Gas Appliances are designed to burn gas only. Burning conventional fireplace fuels such as wood, coal or any other solid fuel will cause damage to the Gas Appliance, will produce excessive temperatures and will result in a fire hazard.

Limitations On Liability

It is expressly agreed and understood that The Companies sole obligation, and purchaser's exclusive remedy under this Warranty, under any other warranty, expressed or implied, or in contract, tort or otherwise, shall be limited to replacement, repair, or refund, as specified above. In no event shall The Companies be responsible for any incidental or consequential damages caused by defects in its products, whether such damage occurs or is discovered before or after replacement or repair, and whether or not such damage is caused by The Companies negligence. Some states do not allow the exclusion or limitation of incidental or consequential damages, so the above limitation or exclusion may not apply to you. The duration of any implied warranty with respect to this Vanox Gas appliance is limited to the duration of the foregoing warranty. Some states do not allow limitation on how long an implied warranty lasts, so the above may not apply to you.

Investigation Of Claims Against Warranty

The Companies reserves the right to investigate any and all claims against this Warranty and to decide upon method of settlement. The Companies Are Not Responsible For Work Done Without Written Consent. The Companies shall in no event be responsible for any warranty work done without first obtaining The Companies written consent. Dealers Have No Authority To Alter This Warranty. The Companies employees and dealers have no authority to make any warranties nor to authorize any remedies in addition to or inconsistent with those stated above.

How To Register A Claim Against Warranty

In order for any claim under this Warranty to be valid, The Companies must be notified of the claimed defect in writing or by telephone, as soon as reasonably possible after the defect is discovered. Claims against this Warranty in writing should include the date of installation, and a description of the defect.

Other Rights

This Warranty gives you specific legal rights, and you may also have other rights which vary from state to state.

NOTE: The Companies as stated above refer to - Vanox Fireplace Inc..

Vanox Fireplace Inc. reserves the right to make changes at any time, without notice, in design, materials, specifications, prices and also to discontinue colors, styles and products.



MA Code - CO Detector (for the State of Massachusetts only)

5.08: Modifications to NFPA-54, Chapter 10

(2) Revise 10.8.3 by adding the following additional requirements:

(a) For all side wall horizontally vented gas fueled equipment installed in every dwelling, building or structure used in whole or in part for residential purposes, including those owned or operated by the Commonwealth and where the side wall exhaust vent termination is less than seven (7) feet above finished grade in the area of the venting, including but not limited to decks and porches, the following requirements shall be satisfied:

1. **INSTALLATION OF CARBON MONOXIDE DETECTORS.** At the time of installation of the side wall horizontal vented gas fueled equipment, the installing plumber or gasfitter shall observe that a hard wired carbon monoxide detector with an alarm and battery back-up is installed on the floor level where the gas equipment is to be installed. In addition, the installing plumber or gasfitter shall observe that a battery operated or hard wired carbon monoxide detector with an alarm is installed on each additional level of the dwelling, building or structure served by the side wall horizontal vented gas fueled equipment.

It shall be the responsibility of the property owner to secure the services of qualified licensed professionals for the installation of hard wired carbon monoxide detectors

a. In the event that the side wall horizontally vented gas fueled equipment is installed in a crawl space or an attic, the hard wired carbon monoxide detector with alarm and battery back-up may be installed on the next adjacent floor level.

b. In the event that the requirements of this subdivision cannot be met at the time of completion of installation, the owner shall have a period of thirty (30) days to comply with the above requirements; provided, however, that during said thirty (30) day period, a battery operated carbon monoxide detector with an alarm shall be installed.

2. **APPROVED CARBON MONOXIDE DETECTORS.** Each carbon monoxide detector as required in accordance with the above provisions shall comply with NFPA 720 and be ANSI/UL 2034 listed and IAS certified.

3. **SIGNAGE.** A metal or plastic identification plate shall be permanently mounted to the exterior of the building at a minimum height of eight (8) feet above grade directly in line with the exhaust vent terminal for the horizontally vented gas fueled heating appliance or equipment. The sign shall read, in print size no less than one-half (1/2) inch in size, "GAS VENT DIRECTLY BELOW. KEEP CLEAR OF ALL OBSTRUCTIONS".

4. **INSPECTION.** The state or local gas inspector of the side wall horizontally vented gas fueled equipment shall not approve the installation unless, upon inspection, the inspector observes carbon monoxide detectors and signage installed in accordance with the provisions of 248 CMR

5.08(2) (a)1 through 4.

(b) **EXEMPTIONS:** The following equipment is exempt from 248 CMR 5.08(2) (a)1 through 4:

1. The equipment listed in Chapter 10 entitled "Equipment Not Required To Be Vented" in the most current edition of NFPA 54 as adopted by the Board; and

2. Product Approved side wall horizontally vented gas fueled equipment installed in a room or structure separate from the dwelling, building or structure used in whole or in part for residential purposes.

(c) **MANUFACTURER REQUIREMENTS - GAS EQUIPMENT VENTING SYSTEM PROVIDED.** When the manufacturer of Product Approved side wall horizontally vented gas equipment provides a venting system design or venting system components with the equipment, the instructions provided by the manufacturer for installation of the equipment and the venting system shall include:

1. Detailed instructions for the installation of the venting system design or the venting system components; and
2. A complete parts list for the venting system design or venting system.

(d) **MANUFACTURER REQUIREMENTS - GAS EQUIPMENT VENTING SYSTEM NOT PROVIDED.** When the manufacturer of a Product Approved side wall horizontally vented gas fueled equipment does not provide the parts for venting the flue gases, but identifies "special venting systems", the following requirements shall be satisfied by the manufacturer:



1. The referenced “special venting system” instructions shall be included with the appliance or equipment installation instructions; and
 2. The “special venting systems” shall be Product Approved by the Board, and the instructions for that system shall include a parts list and detailed installation instructions.
- (e) A copy of all installation instructions for all Product Approved side wall horizontally vented gas fueled equipment, all venting instructions, all parts lists for venting instructions, and/or all venting design instructions shall remain with the appliance or equipment at the completion of the installation.

For the State of Massachusetts, installation and repair must be done by a plumber or gasfitter licensed in the Commonwealth of Massachusetts.

For the State of Massachusetts, installation and repair must be done by a plumber or gasfitter licensed in the Commonwealth of Massachusetts.

For the State of Massachusetts, flexible connectors shall not exceed 36 inches in length.

For the State of Massachusetts, the appliances individual manual shut-off must be a t-handle type valve.

Notes



**Vanox Fireplaces Inc.
Port Coquitlam
BC**

Printed in Canada