

# VANOX FIREPLACE

Our new line of products  
**Lyra 28**  
VRI28BN & VZB28BN BVent Gas Fireplace

BEFORE



AFTER



## Benefits

- No renovations required
- Keep existing mantel / wall finish / tile

## Standard Features

- Contemporary Linear Burner with 1/2" Starfire Glass Media
- Natural Gas Millivolt System
- Clean Face Design with Safety Screen Incorporated
- 100% Gas Shut off if Pilot is not sensed
- Variable Speed Blower Factory Incorporated
- Tested for Most Popular Open Gas Fireplaces: Montigo 28F, Montigo EP28, Montigo 36SR
- High Temperature Glass & Safety Screen
- Zero Clearance Box Available (model:VZB28BN)

## Options

- Thermostat wall mount or remote control available
- Crystal glass media various color available
- Driftwood Log Set and Fire Stones available
- IPI Electronic Ignition System

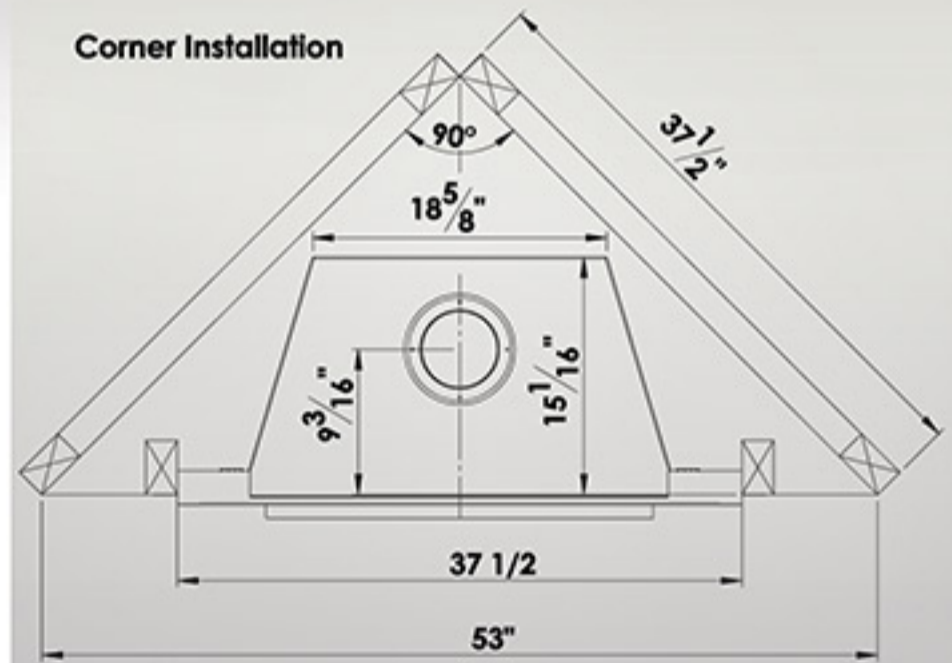


• Lyra 28 with Glass Burner



• Lyra 28 with Driftwood Burner

### Corner Installation



## Specifications

Lyra 28

Input (BTU)

18,000

Efficiency (AFUE)

64%

Viewing Area

300 sq. in.

Certified for 4,5,6 inches BVent and Power Venter

Model	Height		Front Width		Depth	
	Unit	Framing	Unit	Framing	Unit	Framing
VZB28BN	30"	36"	35 13/16"	37 1/2"	15 1/16"	16"